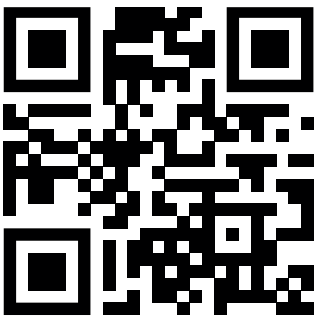


BATI ŞÖMİNE CATALOG

“The most elegant form of warmth “


BATI
ŞÖMİNE



www.batisomine.com



TABLE OF CONTENTS

- 4**
Wood Fireplaces
- 6**
U Shape Fireplaces
- 22**
Flat Lift Door Fireplaces
- 40**
Double-Sided Fireplaces
- 50**
Epi Shape Fireplaces
- 58**
L- Shape Fireplaces
- 76**
Corner Fireplaces
- 82**
Central Fireplaces
- 94**
Barbecues
- 112**
Stoves



“

*Aesthetic form where powerful design meets flawless metal craftsmanship and the magic of fire; **adding elegance, warmth, and character to your living spaces.***



WHY BATI ŞÖMİNE?

Because Batı Şömine is not just a fireplace manufacturer; it is a brand that offers comfort, aesthetics, and quality together for your living spaces.

At our İzmir-based production facility, we manufacture modern, durable fireplace models in compliance with European standards. Since we began our entrepreneurial journey in 2022, we have become a trusted brand at every step—from production to sales, from installation to after-sales support.

In every product, we act with high-quality materials, meticulous craftsmanship, and an innovative design approach. Thanks to this approach, we have brought warm, stylish, and safe living spaces to thousands of users in İzmir and across the Aegean Region.

Batı Şömine adds warmth, elegance, and quality to your space in every detail. With modern designs, the assurance of domestic production, and a customer-focused approach, it promises “more than a fireplace.” Batı Şömine is a brand that brings comfort, aesthetics, and quality together to your living spaces.



Since the beginning of humanity, fire has been part of our lives. As Batı Şömine, we present it to you today in its most modern and aesthetic form.



OUR DIFFERENCE AS BATI ŞÖMİNE;

Fully domestic production

In our modern facility in Buca, İzmir, we control every stage of production.

Innovative design & technology

We follow modern trends and develop tailored solutions for every living space.

Customer satisfaction-focused service

We listen with empathy and respond quickly and professionally to requests.

A vision from local to global

We move forward with the goal of being a leading brand both regionally and in international markets.

WOOD FIREPLACES



Wood fireplaces are classic and timeless solutions that add both natural warmth and a strong atmosphere to living spaces. Produced with modern designs and high heating efficiency, these models offer the serenity of real flames while adding character to the décor. With their durable structure and safe-use details, they provide an aesthetic and functional heating experience for many years.



- Combustion speed adjustment slider
- Upper air curtain that continuously blows air onto the glass to reduce sooting
- Secondary combustion system that strengthens the fire

Lift system that is quiet and does not jam •

Four-way rotating lintel that provides easy installation and aesthetic appearance •



- Clean oxygen intake from outside into the chamber for efficient combustion
- Cast iron or brick modular combustion panels

Upper panel that prevents smoke from escaping into the lift cover movement clearance •

High-heat-resistant gasket system around the cover that helps cut off connection with outside oxygen •



U SHAPE FIREPLACES



We can see that fireplaces, used effectively for heating, also contribute positively to the decor of contemporary buildings with very different models. Among these special fireplace models, U-shape fireplaces hold a distinct place.

1



U Shape 70 cm

U Shape 80 cm

U Shape 90 cm

U Shape 100 cm

U Shape 110 cm

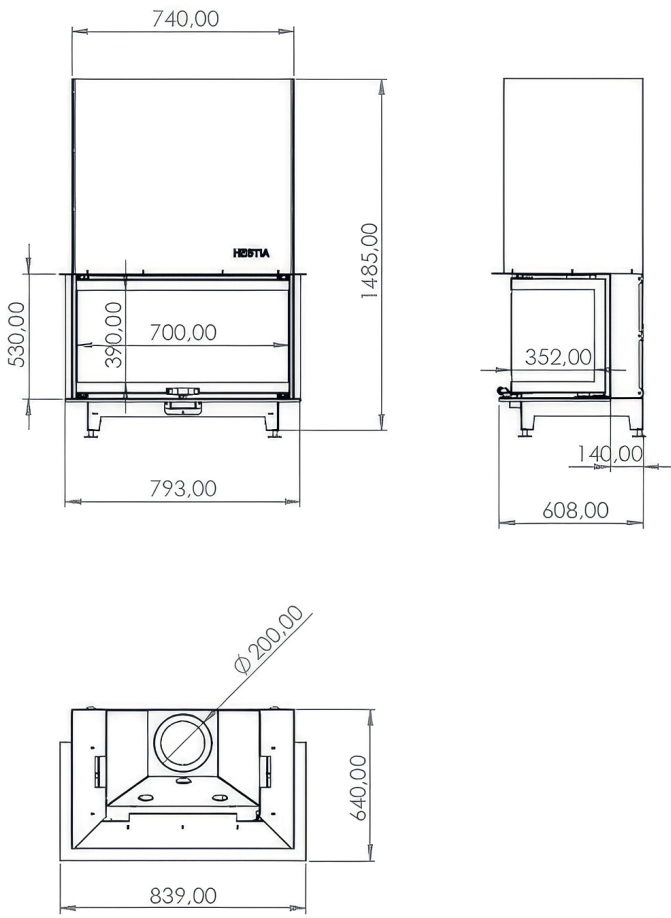
U Shape 120 cm

U Shape 130 cm



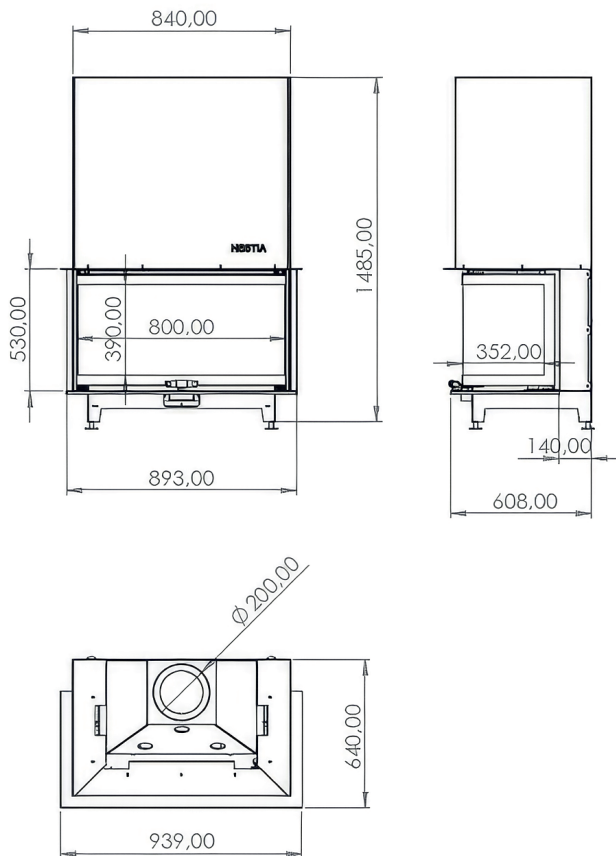


U Shape 70 cm



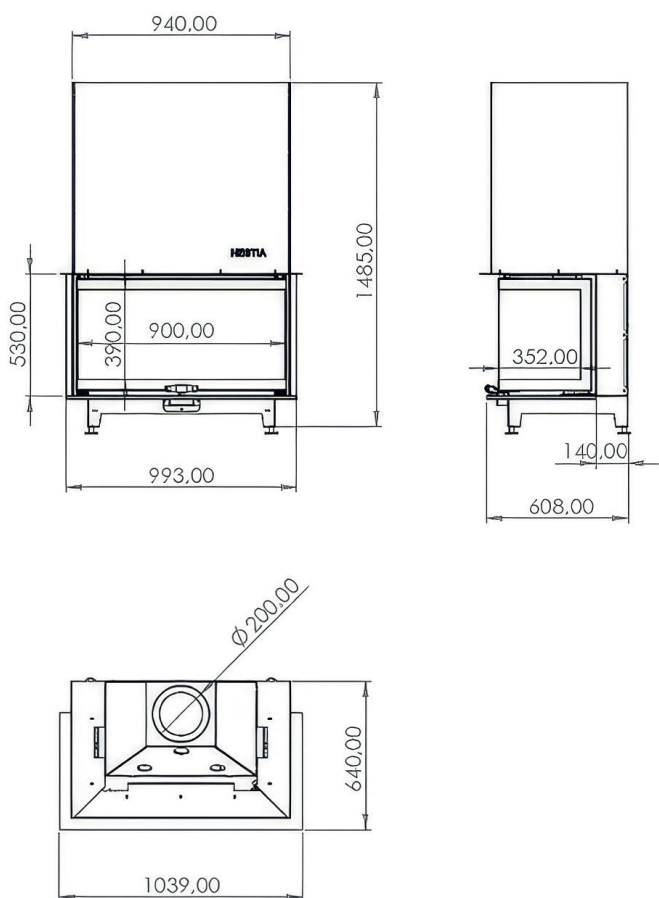
Specifications	Value
Power (kW)	14
Heating Efficiency (%)	82
Weight (kg)	240
Material	Steel
Flue Diameter	200
Glass	Ceramic Glass
Combustion Chamber	Cast Iron
Warranty	2 Years

U Shape 80 cm



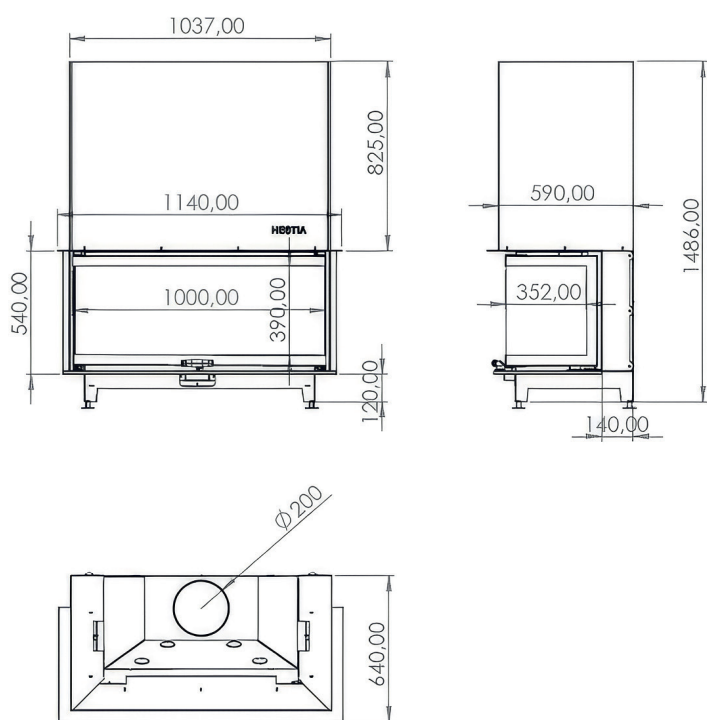
Specifications	Value
Power (kW)	15
Heating Efficiency (%)	84
Weight (kg)	260
Material	Steel
Flue Diameter	200
Glass	Ceramic Glass
Combustion Chamber	Cast Iron
Warranty	2 Years

U Shape 90 cm



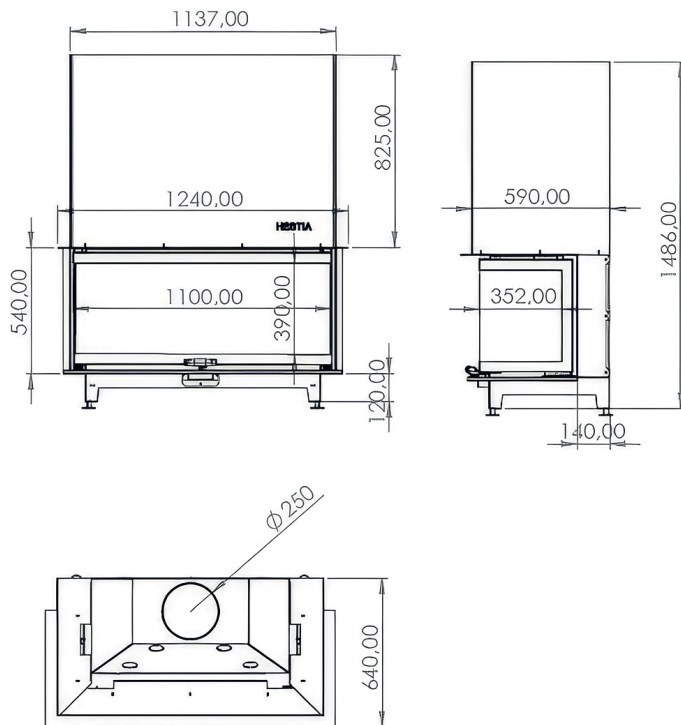
Specifications	Value
Power (kW)	16
Heating Efficiency (%)	86
Weight (kg)	280
Material	Steel
Flue Diameter	200
Glass	Ceramic Glass
Combustion Chamber	Cast Iron
Warranty	2 Years

U Shape 100 cm



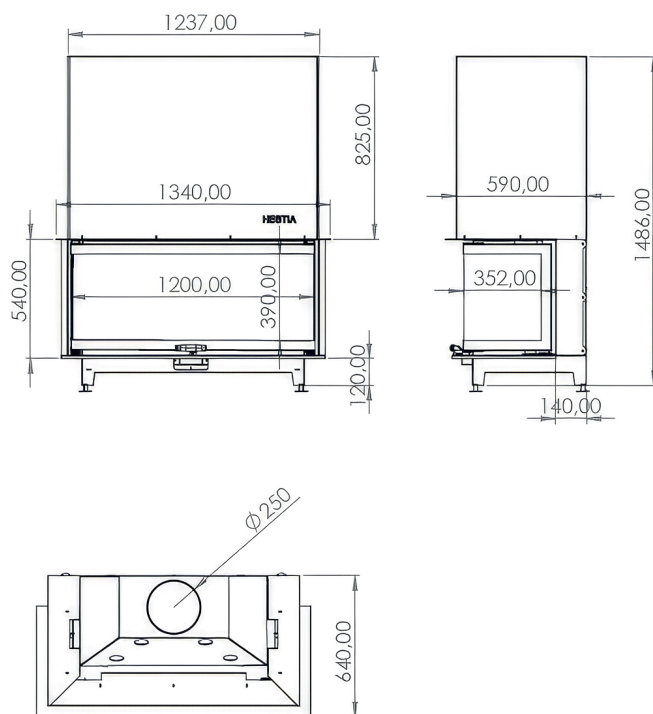
Specifications	Value
Power (kW)	17
Heating Efficiency (%)	88
Weight (kg)	300
Material	Steel
Flue Diameter	200
Glass	Ceramic Glass
Combustion Chamber	Cast Iron
Warranty	2 Years

U Shape 110 cm



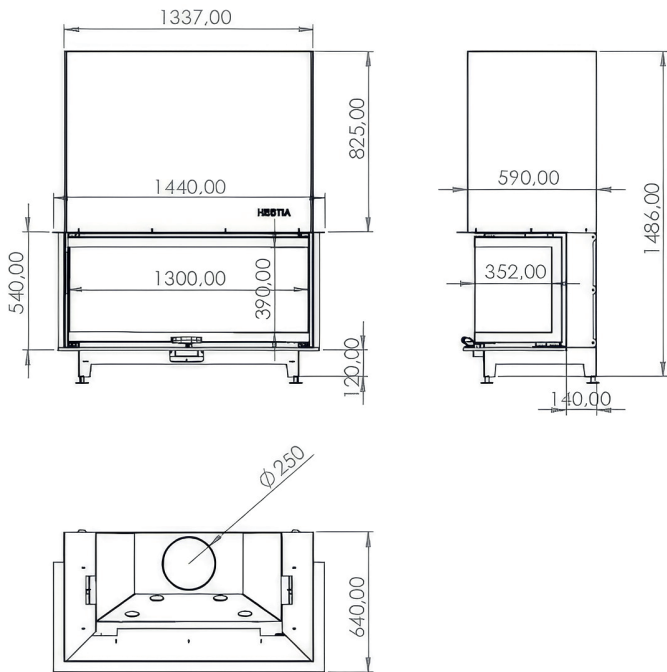
Specifications	Value
Power (kW)	18
Heating Efficiency (%)	89
Weight (kg)	320
Material	Steel
Flue Diameter	250
Glass	Ceramic Glass
Combustion Chamber	Cast Iron
Warranty	2 Years

U Shape 120 cm



Specifications	Value
Power (kW)	19
Heating Efficiency (%)	90
Weight (kg)	340
Material	Steel
Flue Diameter	250
Glass	Ceramic Glass
Combustion Chamber	Cast Iron
Warranty	2 Years

U Shape 130 cm



Specifications	Value
Power (kW)	20
Heating Efficiency (%)	91
Weight (kg)	360
Material	Steel
Flue Diameter	250
Glass	Ceramic Glass
Combustion Chamber	Cast Iron
Warranty	2 Years





2

U Shape 70 cm Eco

U Shape 80 cm Eco

U Shape 90 cm Eco

U Shape 100 cm Eco

U Shape 110 cm Eco

U Shape 120 cm Eco

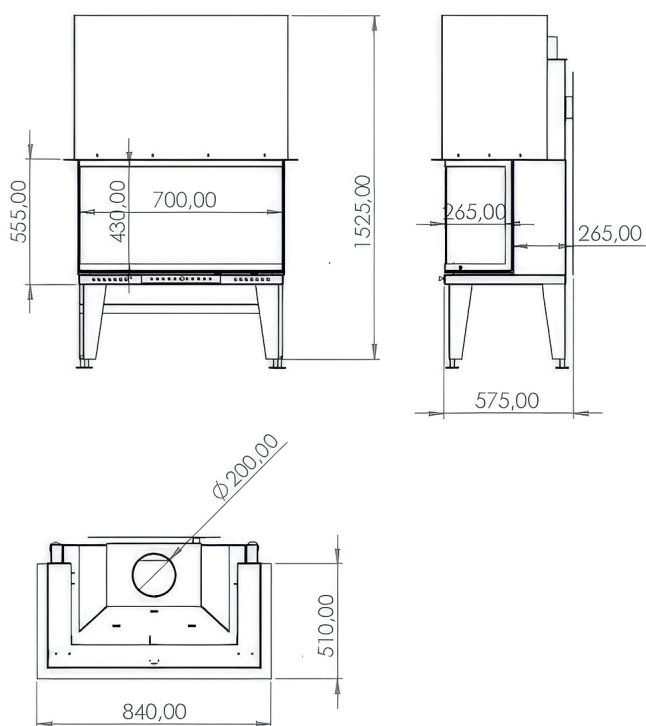
U Shape 130 cm Eco





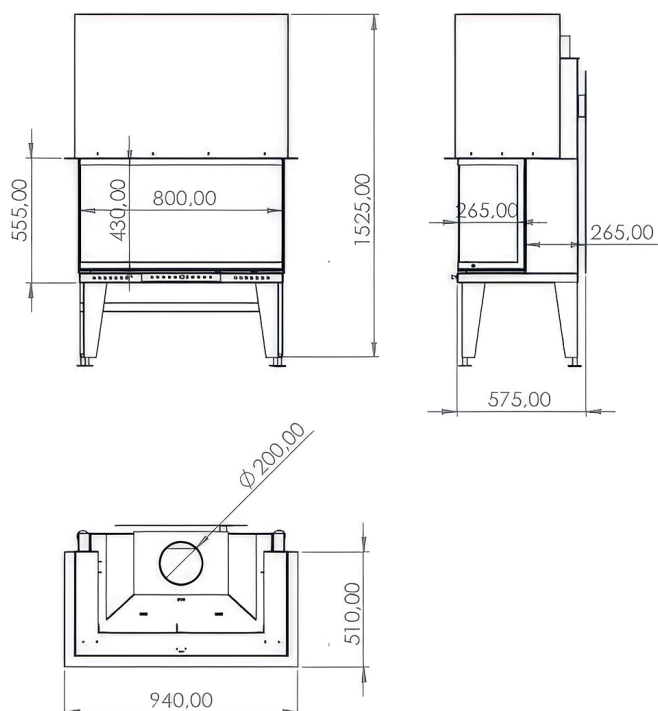


U Shape 70 cm Eco



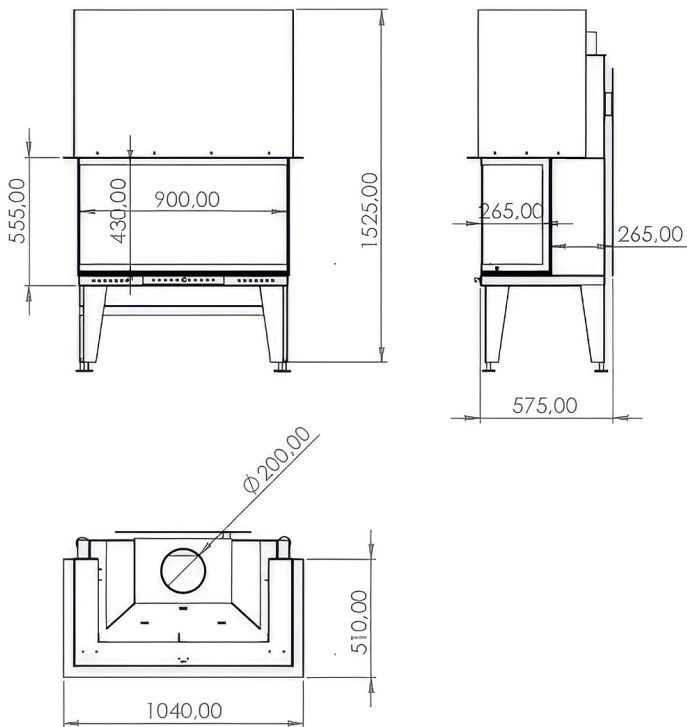
Specifications	Value
Power (kW)	12
Heating Efficiency (%)	82
Weight (kg)	180
Material	Steel
Flue Diameter	200
Glass	Ceramic Glass
Combustion Chamber	Cast Iron
Warranty	2 Years

U Shape 80 cm Eco



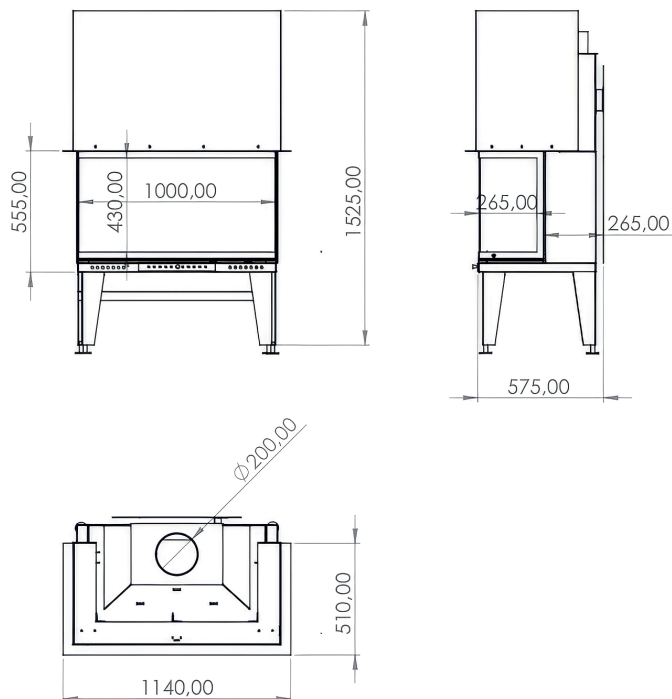
Specifications	Value
Power (kW)	13
Heating Efficiency (%)	83
Weight (kg)	200
Material	Steel
Flue Diameter	200
Glass	Ceramic Glass
Combustion Chamber	Cast Iron
Warranty	2 Years

U Shape 90 cm Eco



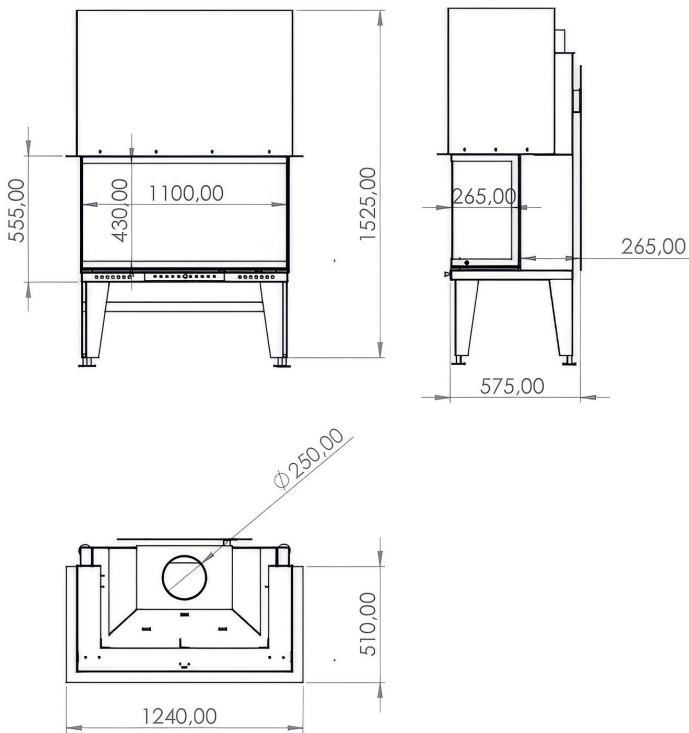
Specifications	Value
Power (kW)	14
Heating Efficiency (%)	84
Weight (kg)	220
Material	Steel
Flue Diameter	200
Glass	Ceramic Glass
Combustion Chamber	Cast Iron
Warranty	2 Years

U Shape 100 cm Eco



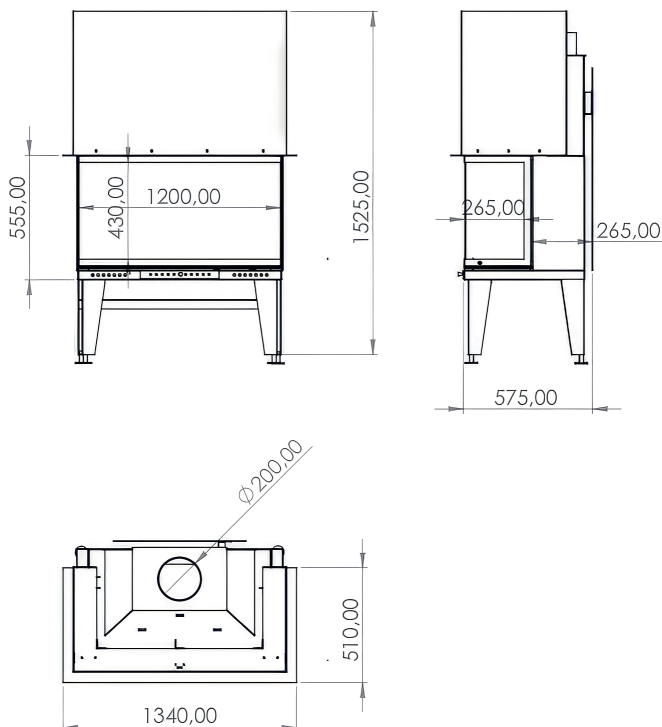
Specifications	Value
Power (kW)	15
Heating Efficiency (%)	85
Weight (kg)	240
Material	Steel
Flue Diameter	200
Glass	Ceramic Glass
Combustion Chamber	Cast Iron
Warranty	2 Years

U Shape 110 cm Eco



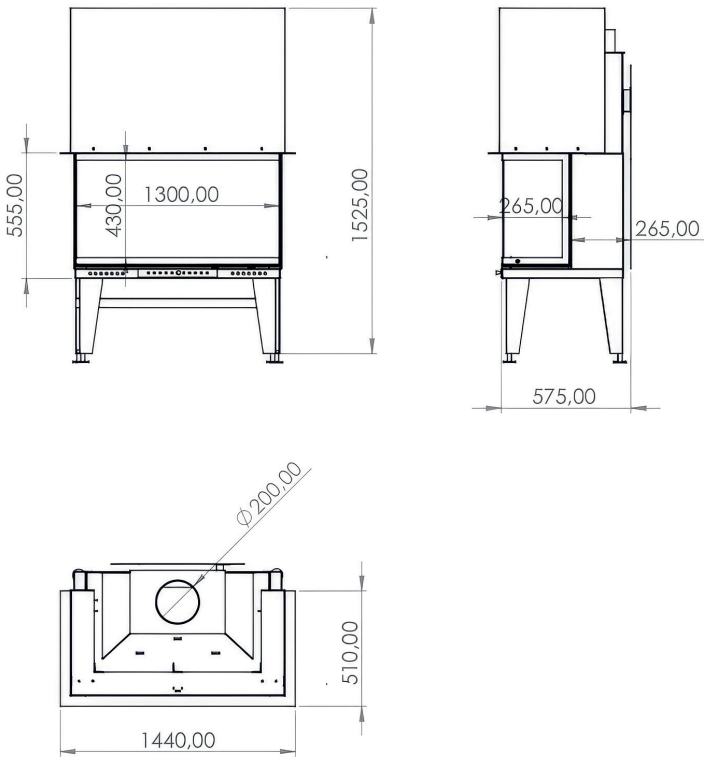
Specifications	Value
Power (kW)	16
Heating Efficiency (%)	86
Weight (kg)	260
Material	Steel
Flue Diameter	250
Glass	Ceramic Glass
Combustion Chamber	Cast Iron
Warranty	2 Years

U Shape 120 cm Eco

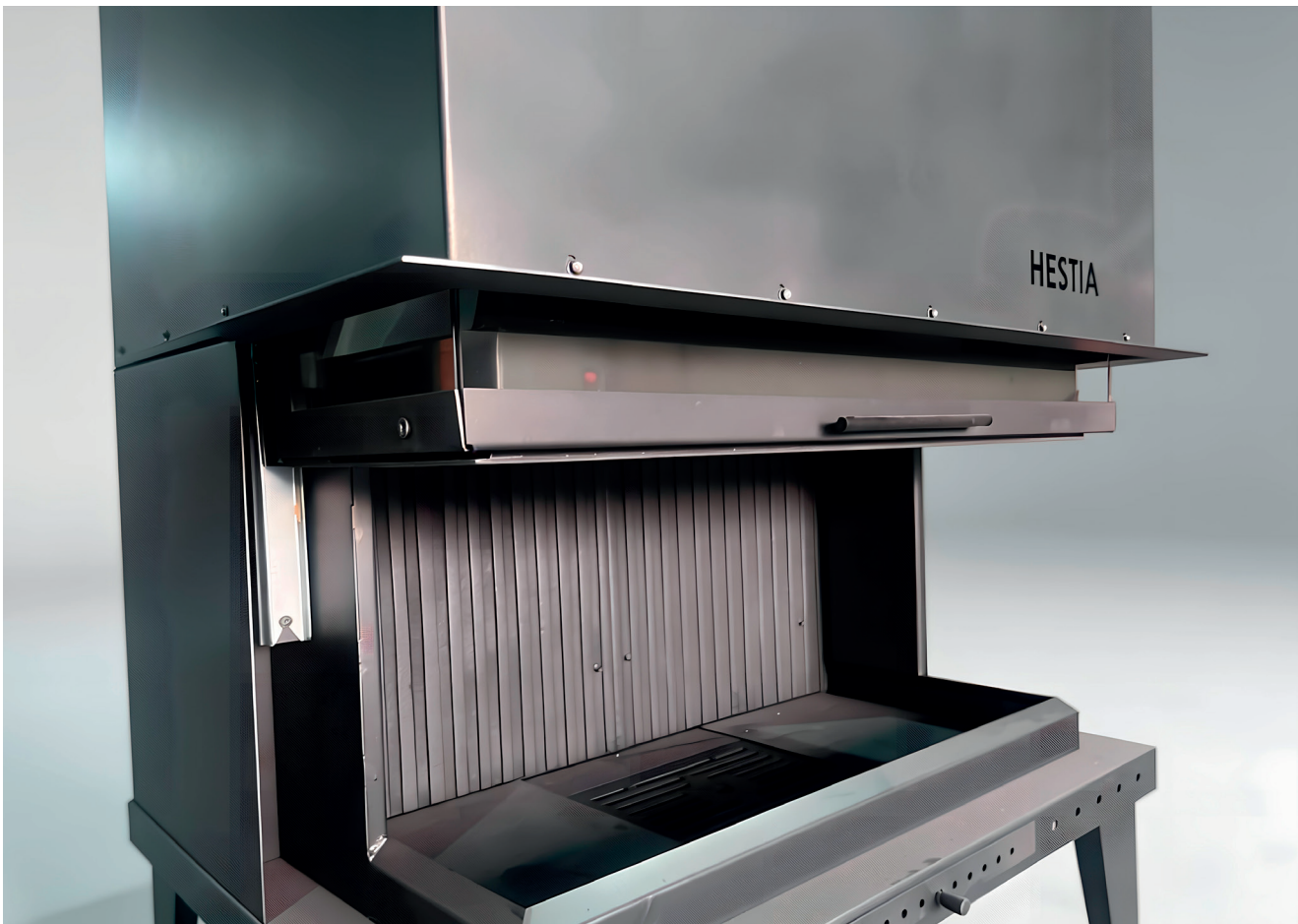


Specifications	Value
Power (kW)	17
Heating Efficiency (%)	87
Weight (kg)	280
Material	Steel
Flue Diameter	250
Glass	Ceramic Glass
Combustion Chamber	Cast Iron
Warranty	2 Years

U Shape 130 cm Eco



Specifications	Value
Power (kW)	18
Heating Efficiency (%)	88
Weight (kg)	300
Material	Steel
Flue Diameter	250
Glass	Ceramic Glass
Combustion Chamber	Cast Iron
Warranty	2 Years



FLAT LIFT DOOR FIREPLACES



Flat Lift Door Fireplaces combine a modern look with easy maintenance and wall-installation compatibility. Their guillotine glass door system enhances safety and user comfort. Batı Şömine supplies cost-effective steel fireplace options in İzmir and throughout the Aegean Region.

**70x55 Flat Lift Door
Fireplaces**

**80x55 Flat Lift Door
Fireplaces**

**80x65 Flat Lift Door
Fireplaces**

**90x55 Flat Lift Door
Fireplaces**

**100x50 Flat Lift Door
Fireplaces**

**100x55 Flat Lift Door
Fireplaces**

**120x50 Flat Lift Door
Fireplaces**

**120x55 Flat Lift Door
Fireplaces**

**120x60 Flat Lift Door
Fireplaces**

**130x55 Flat Lift Door
Fireplaces**

**140x55 Flat Lift Door
Fireplaces**

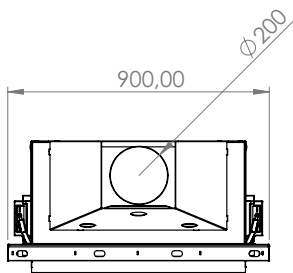
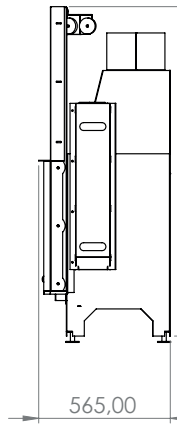
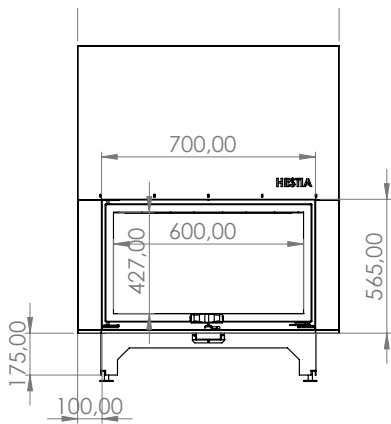
1





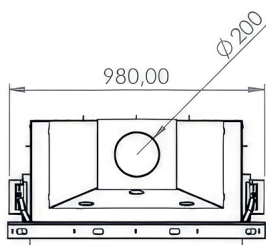
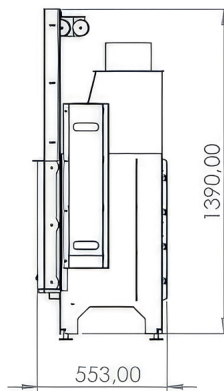
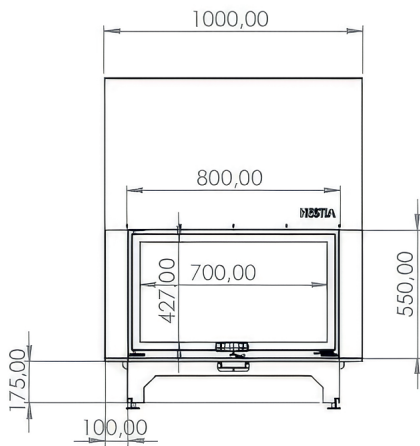


70×55 Flat Lift Door Fireplaces



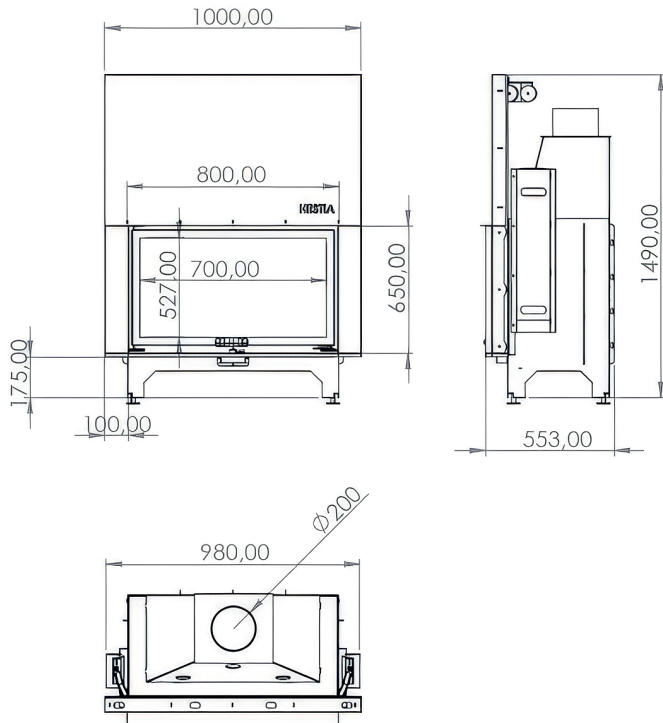
Specifications	Value
Power (kW)	18
Heating Efficiency (%)	85
Weight (kg)	280
Material	Steel
Flue Diameter	250
Glass	Ceramic Glass
Combustion Chamber	Cast Iron
Warranty	2 Years

80×55 Flat Lift Door Fireplaces



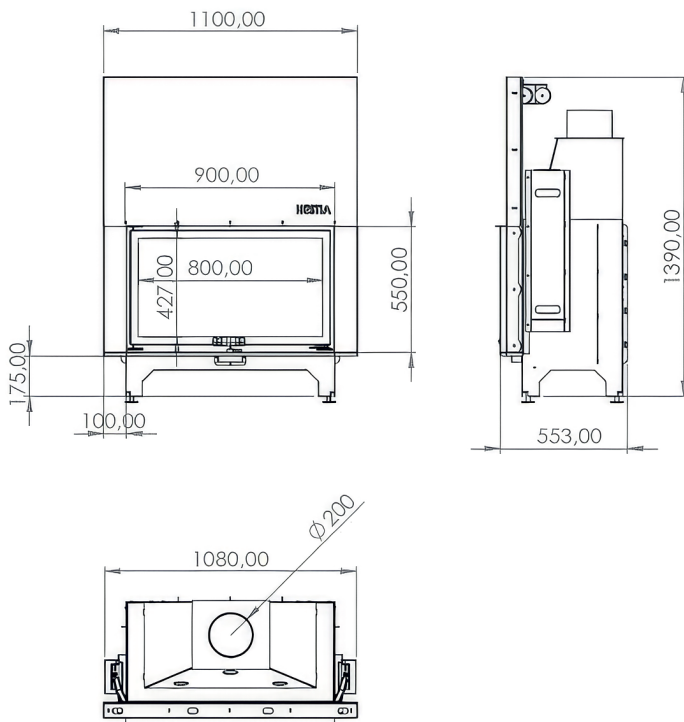
Specifications	Value
Power (kW)	16
Heating Efficiency (%)	82
Weight (kg)	250
Material	Steel
Flue Diameter	200
Glass	Ceramic Glass
Combustion Chamber	Cast Iron
Warranty	2 Years

80×65 Flat Lift Door Fireplaces



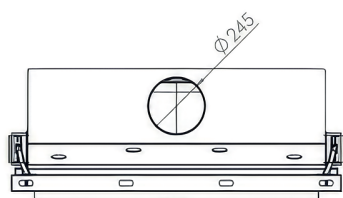
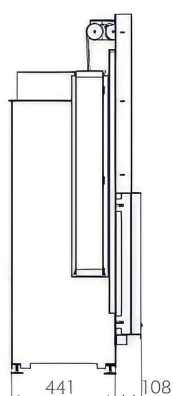
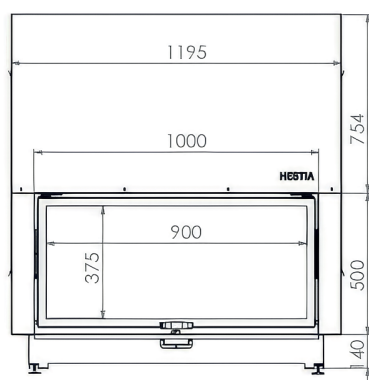
Specifications	Value
Power (kW)	17
Heating Efficiency (%)	84
Weight (kg)	270
Material	Steel
Flue Diameter	200
Glass	Ceramic Glass
Combustion Chamber	Cast Iron
Warranty	2 Years

90×55 Flat Lift Door Fireplaces



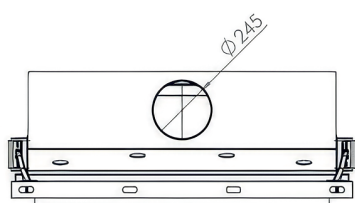
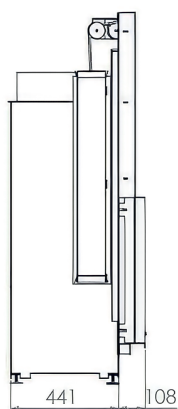
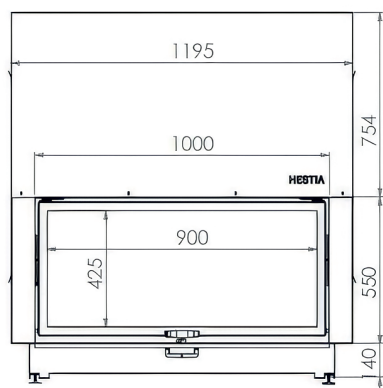
Specifications	Value
Power (kW)	17
Heating Efficiency (%)	84
Weight (kg)	270
Material	Steel
Flue Diameter	200
Glass	Ceramic Glass
Combustion Chamber	Cast Iron
Warranty	2 Years

100×50 Flat Lift Door Fireplaces



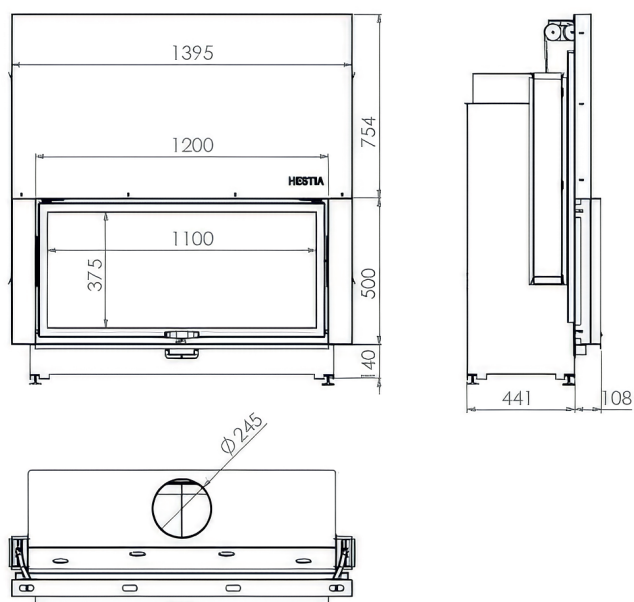
Specifications	Value
Power (kW)	18
Heating Efficiency (%)	85
Weight (kg)	280
Material	Steel
Flue Diameter	250
Glass	Ceramic Glass
Combustion Chamber	Cast Iron
Warranty	2 Years

100×55 Flat Lift Door Fireplaces



Specifications	Value
Power (kW)	18
Heating Efficiency (%)	86
Weight (kg)	290
Material	Steel
Flue Diameter	250
Glass	Ceramic Glass
Combustion Chamber	Cast Iron
Warranty	2 Years

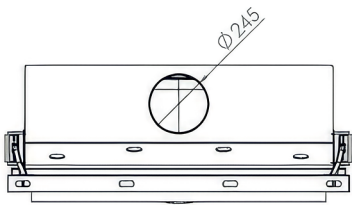
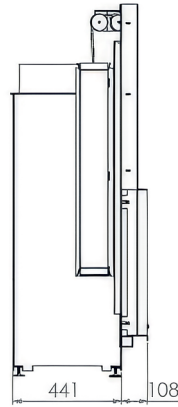
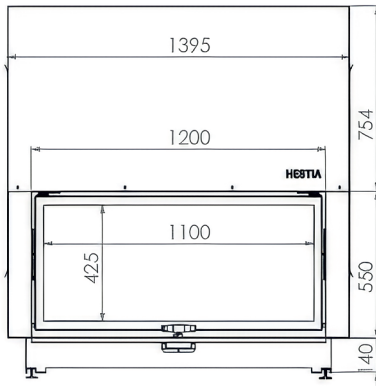
120×50 Flat Lift Door Fireplaces



Specifications	Value
Power (kW)	19
Heating Efficiency (%)	87
Weight (kg)	310
Material	Steel
Flue Diameter	250
Glass	Ceramic Glass
Combustion Chamber	Cast Iron
Warranty	2 Years

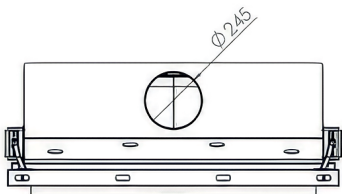
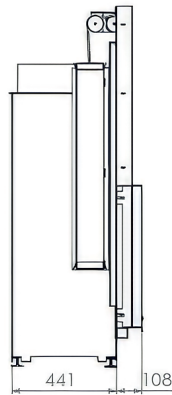
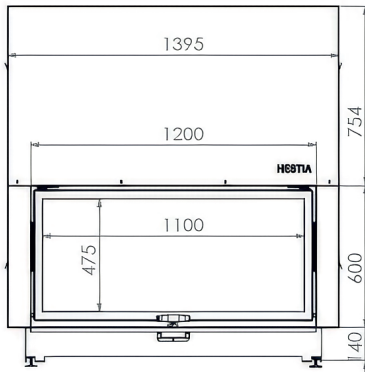


120×55 Flat Lift Door Fireplaces



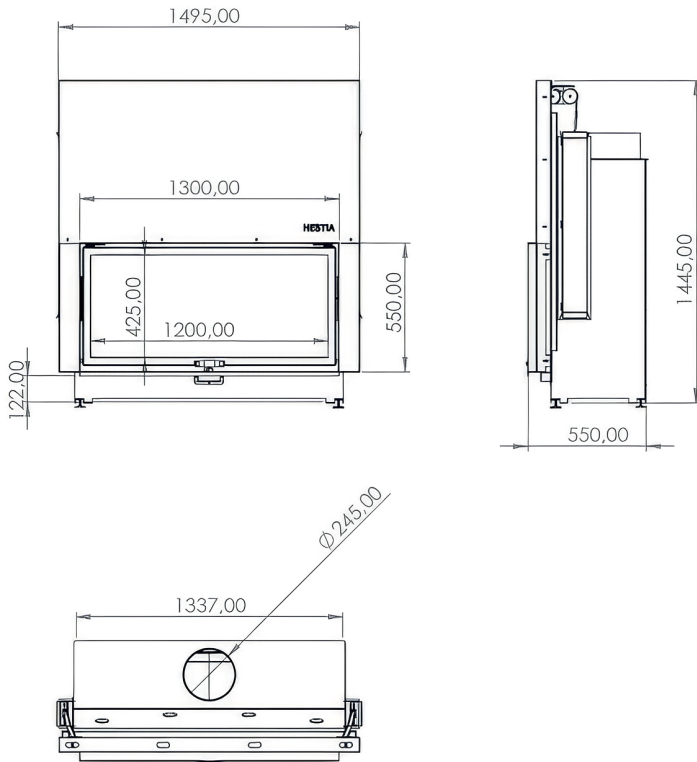
Specifications	Value
Power (kW)	20
Heating Efficiency (%)	88
Weight (kg)	330
Material	Steel
Flue Diameter	250
Glass	Ceramic Glass
Combustion Chamber	Cast Iron
Warranty	2 Years

120×60 Flat Lift Door Fireplaces



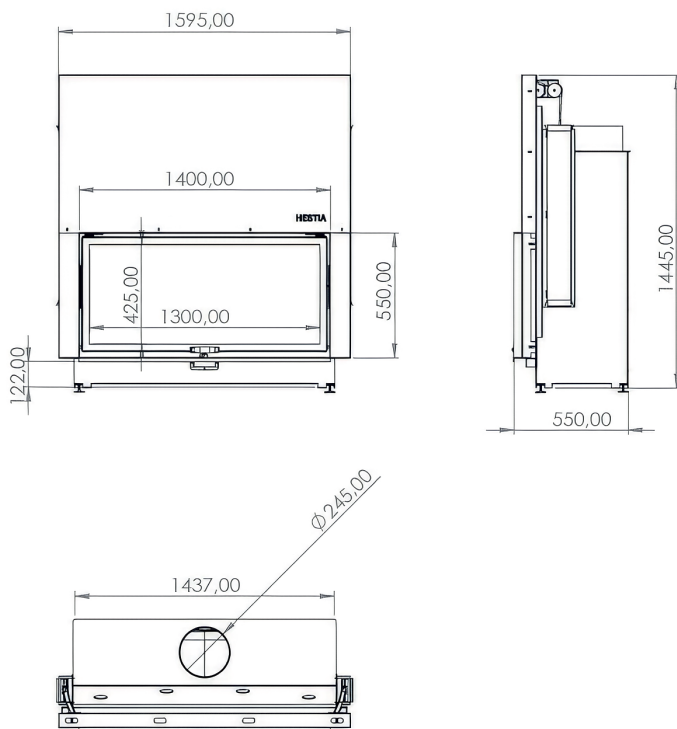
Specifications	Value
Power (kW)	20
Heating Efficiency (%)	88
Weight (kg)	350
Material	Steel
Flue Diameter	250
Glass	Ceramic Glass
Combustion Chamber	Cast Iron
Warranty	2 Years

130x55 Flat Lift Door Fireplaces



Specifications	Value
Power (kW)	21
Heating Efficiency (%)	89
Weight (kg)	350
Material	Steel
Flue Diameter	250
Glass	Ceramic Glass
Combustion Chamber	Cast Iron
Warranty	2 Years

140x55 Flat Lift Door Fireplaces



Specifications	Value
Power (kW)	22
Heating Efficiency (%)	90
Weight (kg)	370
Material	Steel
Flue Diameter	250
Glass	Ceramic Glass
Combustion Chamber	Cast Iron
Warranty	2 Years



**70x55 Flat Lift Door
Fireplaces Eco**

**80x55 Flat Lift Door
Fireplaces Eco**

**90x55 Flat Lift Door
Fireplaces Eco**

**100x55 Flat Lift Door
Fireplaces Eco**

**110x55 Flat Lift Door
Fireplaces Eco**

**120x55 Flat Lift Door
Fireplaces Eco**

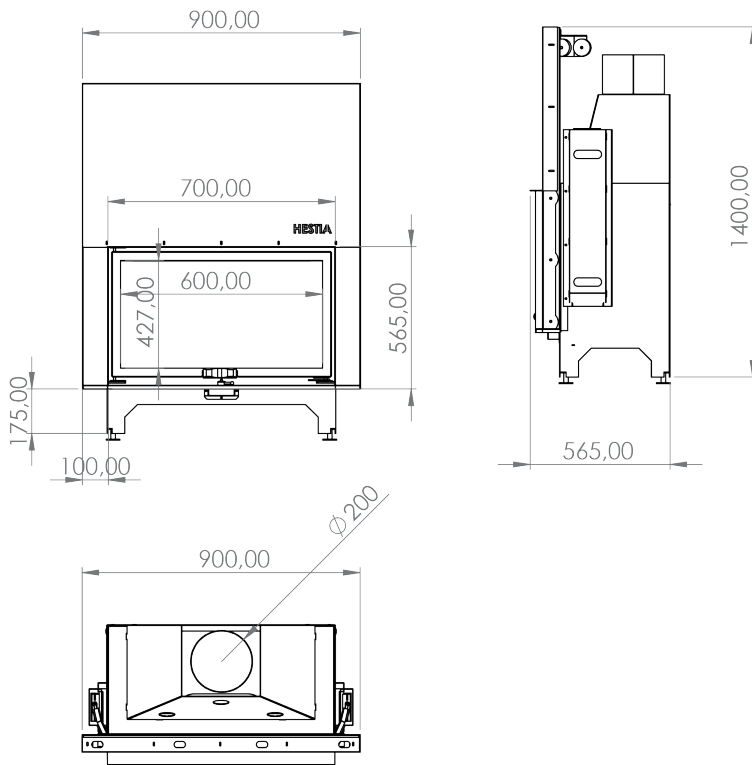
**130x55 Flat Lift Door
Fireplaces Eco**





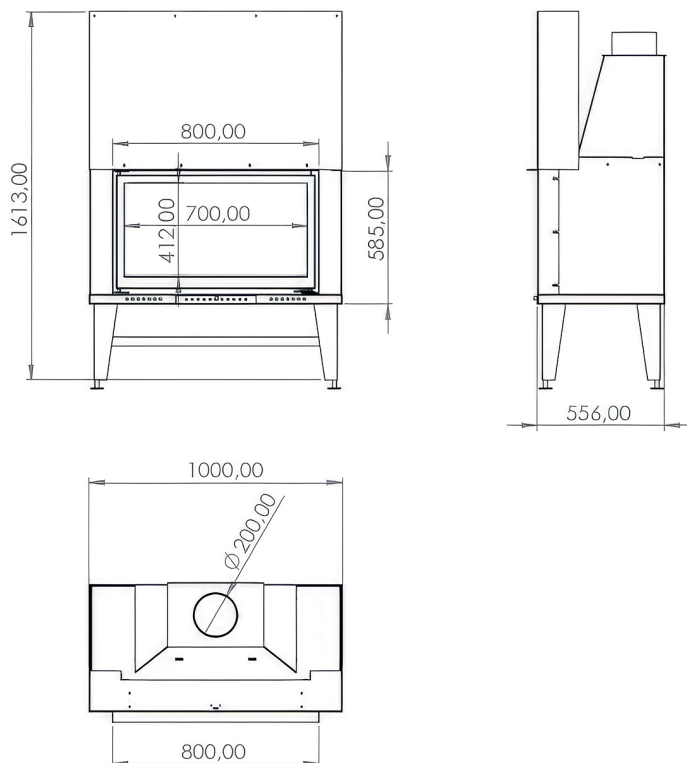


70×55 Flat Lift Door Fireplaces Eco



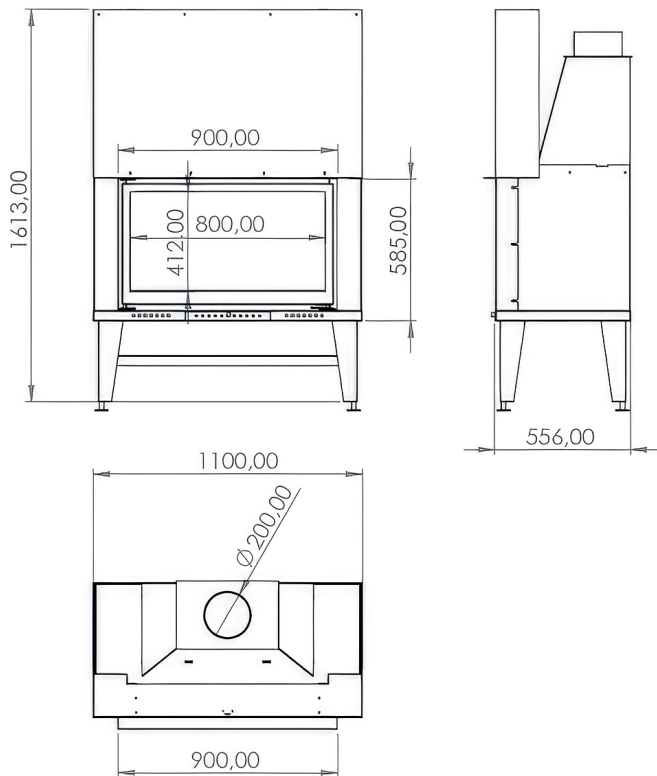
Specifications	Value
Power (kW)	14
Heating Efficiency (%)	80
Weight (kg)	200
Material	Steel
Flue Diameter	200
Glass	Ceramic Glass
Combustion Chamber	Cast Iron
Warranty	2 Years

80×55 Flat Lift Door Fireplaces Eco



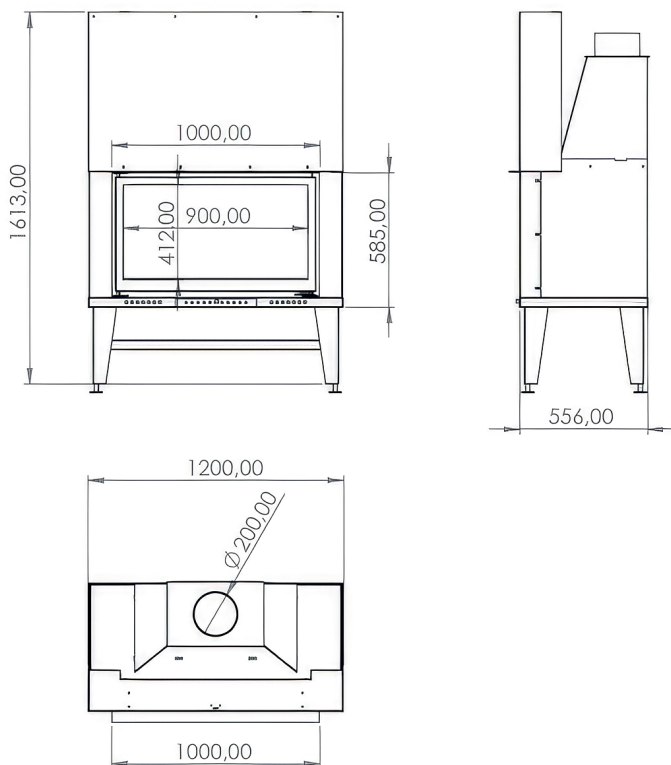
Specifications	Value
Power (kW)	15
Heating Efficiency (%)	81
Weight (kg)	225
Material	Steel
Flue Diameter	200
Glass	Ceramic Glass
Combustion Chamber	Cast Iron
Warranty	2 Years

90×55 Flat Lift Door Fireplaces Eco



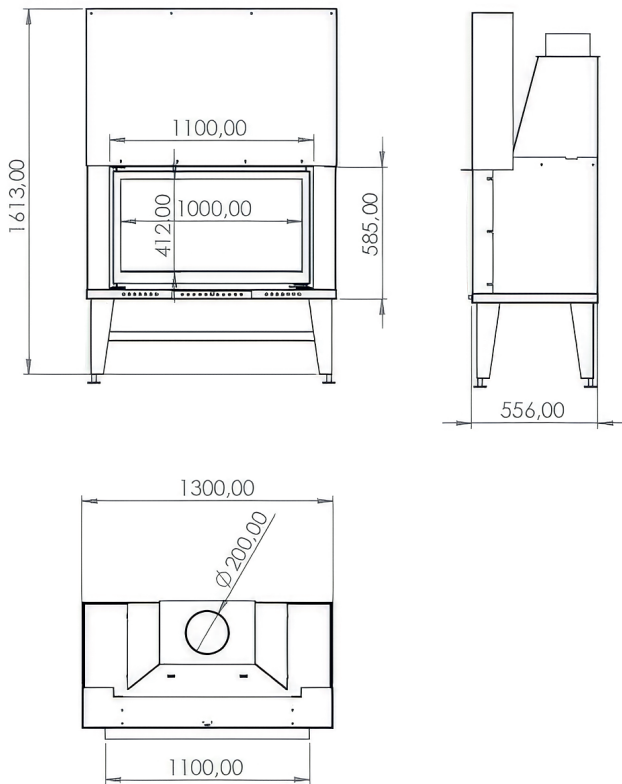
Specifications	Value
Power (kW)	16
Heating Efficiency (%)	82
Weight (kg)	250
Material	Steel
Flue Diameter	200
Glass	Ceramic Glass
Combustion Chamber	Cast Iron
Warranty	2 Years

100×55 Flat Lift Door Fireplaces Eco



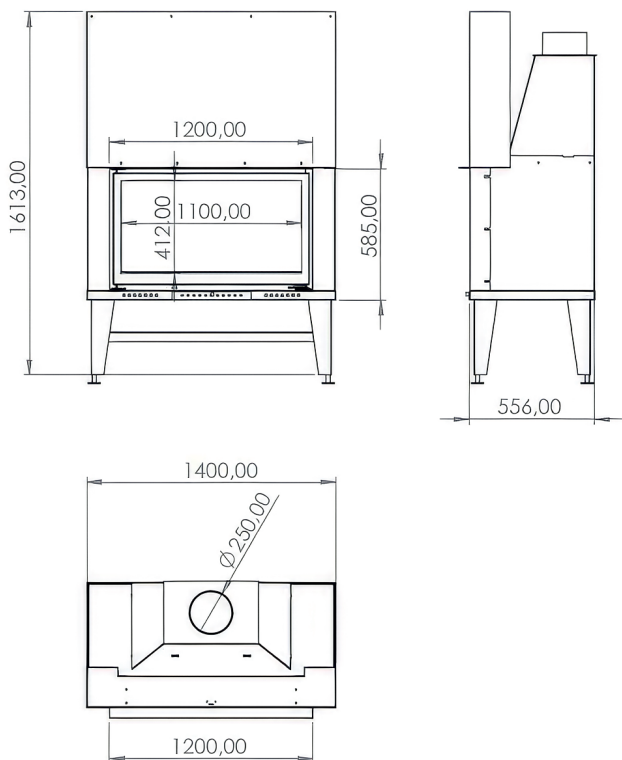
Specifications	Value
Power (kW)	17
Heating Efficiency (%)	83
Weight (kg)	275
Material	Steel
Flue Diameter	200
Glass	Ceramic Glass
Combustion Chamber	Cast Iron
Warranty	2 Years

110×55 Flat Lift Door Fireplaces Eco



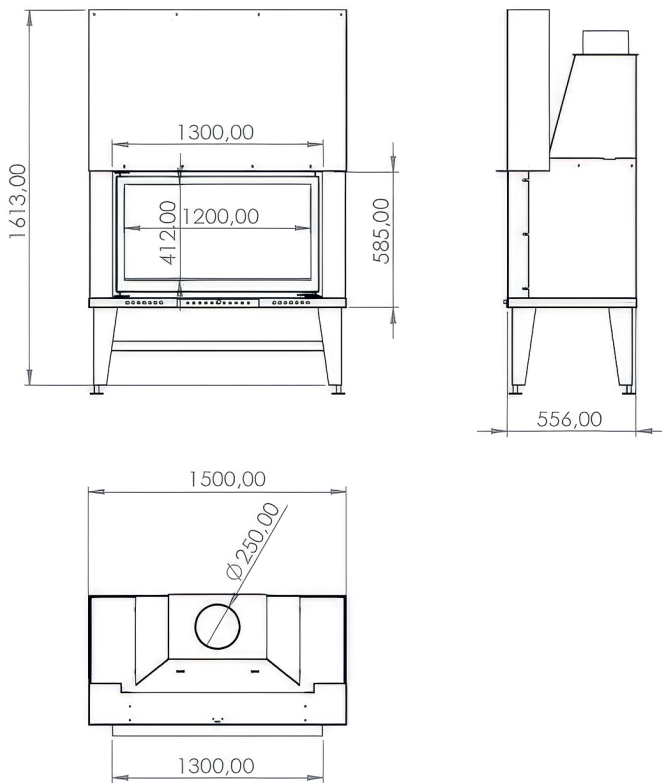
Specifications	Value
Power (kW)	18
Heating Efficiency (%)	84
Weight (kg)	300
Material	Steel
Flue Diameter	200
Glass	Ceramic Glass
Combustion Chamber	Cast Iron
Warranty	2 Years

120×55 Flat Lift Door Fireplaces Eco



Specifications	Value
Power (kW)	19
Heating Efficiency (%)	85
Weight (kg)	325
Material	Steel
Flue Diameter	250
Glass	Ceramic Glass
Combustion Chamber	Cast Iron
Warranty	2 Years

130×55 Flat Lift Door Fireplaces Eco



Specifications	Value
Power (kW)	20
Heating Efficiency (%)	86
Weight (kg)	350
Material	Steel
Flue Diameter	250
Glass	Ceramic Glass
Combustion Chamber	Cast Iron
Warranty	2 Years



DOUBLE-SIDED FIREPLACES



High-quality steel and next-generation design elements come together in the double-sided fireplace, which consists of two separate fireboxes, one on each side of the unit. With the meticulous workmanship of Batı Şömine's specialists, double-sided fireplace models are produced with great care. In the latest double-sided designs, you can immediately notice the premium user experience and superior ease of use.

**70×55 Double-Sided
Fireplace**

**80×55 Double-Sided
Fireplace**

**90×55 Double-Sided
Fireplace**

**100×55 Double-Sided
Fireplace**

**100×60 Double-Sided
Fireplace**

**120×55 Double-Sided
Fireplace**

**120×60 Double-Sided
Fireplace**

**130×60 Double-Sided
Fireplace**

**140×60 Double-Sided
Fireplace**

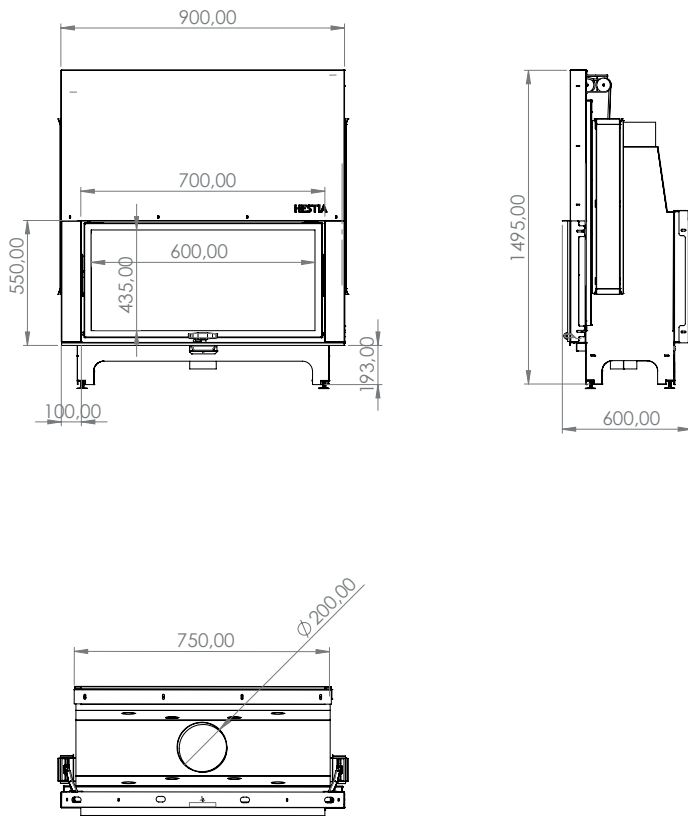
1





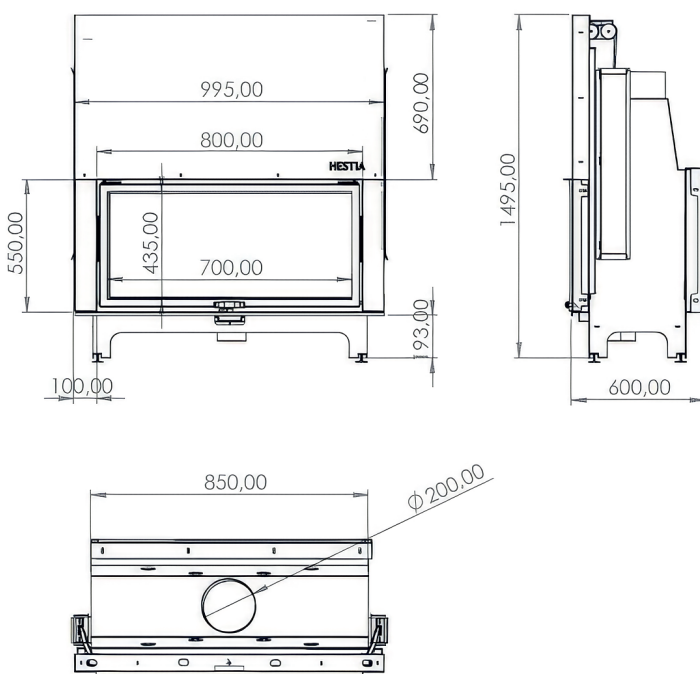


70×55 Double-Sided Fireplace



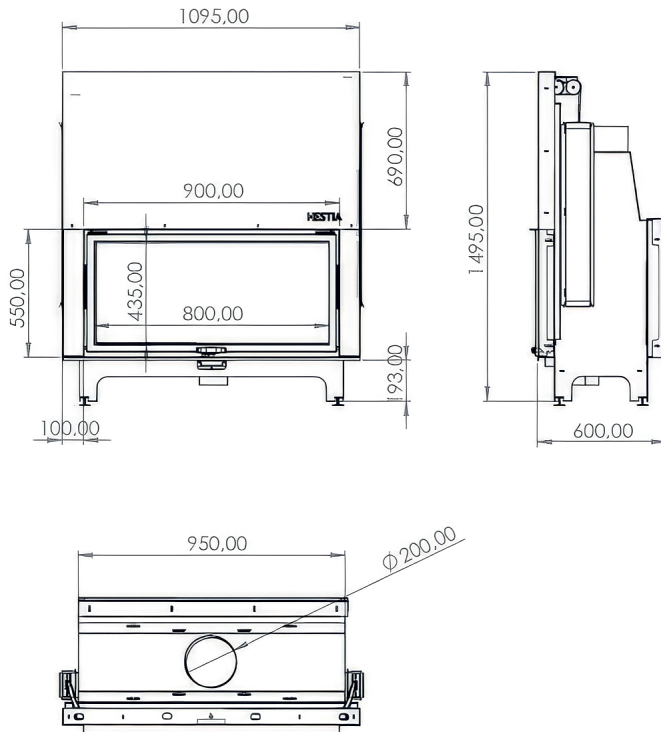
Specifications	Value
Power (kW)	14
Heating Efficiency (%)	83
Weight (kg)	285
Material	Steel
Flue Diameter	200
Glass	Ceramic Glass
Combustion Chamber	Cast Iron
Warranty	2 Years

80×55 Double-Sided Fireplace



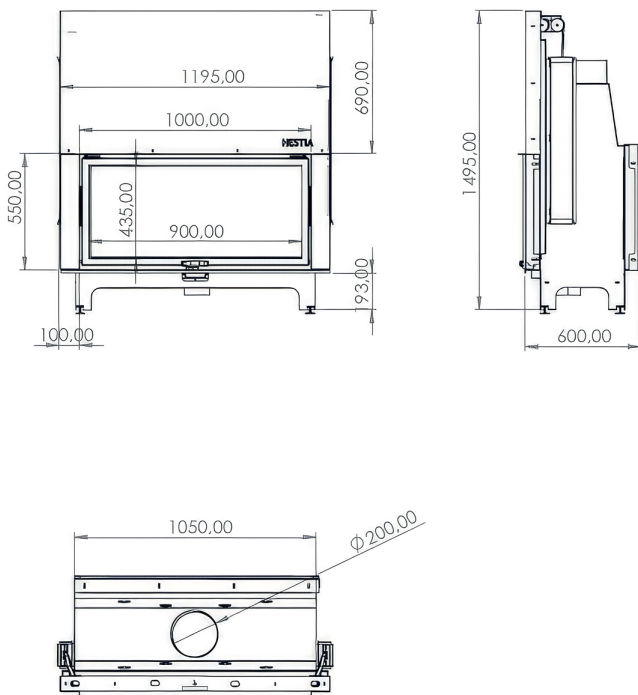
Specifications	Value
Power (kW)	15
Heating Efficiency (%)	83
Weight (kg)	300
Material	Steel
Flue Diameter	200
Glass	Ceramic Glass
Combustion Chamber	Cast Iron
Warranty	2 Years

90×55 Double-Sided Fireplace



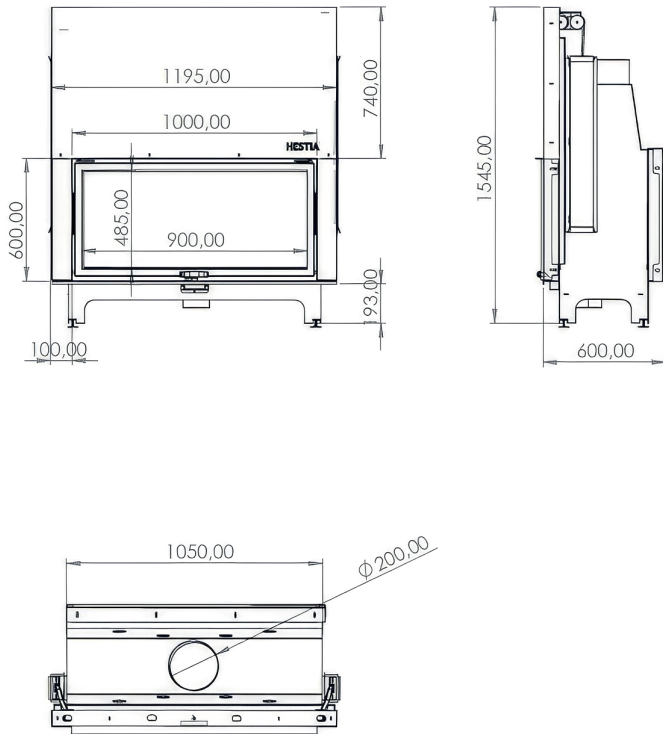
Specifications	Value
Power (kW)	16
Heating Efficiency (%)	84
Weight (kg)	310
Material	Steel
Flue Diameter	200
Glass	Ceramic Glass
Combustion Chamber	Cast Iron
Warranty	2 Years

100×55 Double-Sided Fireplace



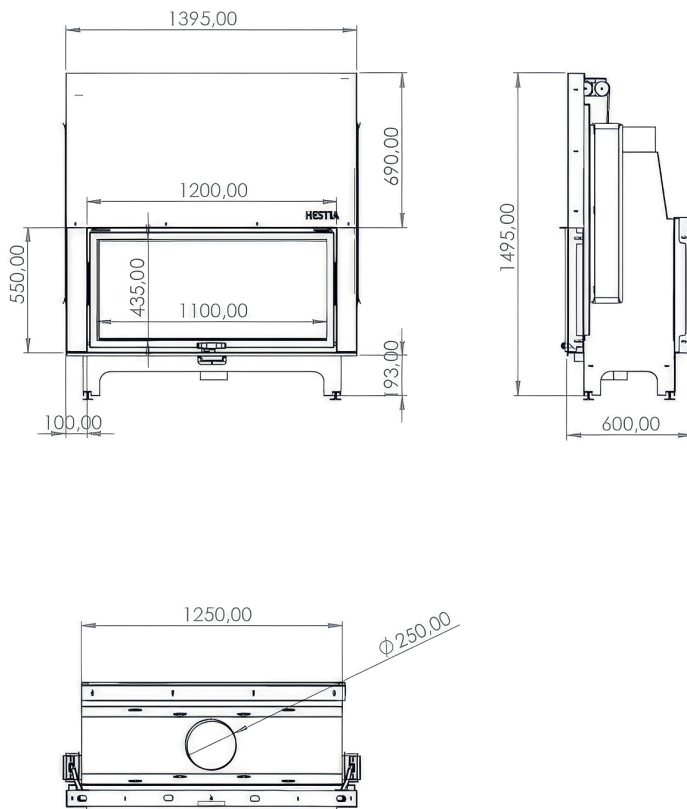
Specifications	Value
Power (kW)	17
Heating Efficiency (%)	85
Weight (kg)	320
Material	Steel
Flue Diameter	200
Glass	Ceramic Glass
Combustion Chamber	Cast Iron
Warranty	2 Years

100×60 Double-Sided Fireplace



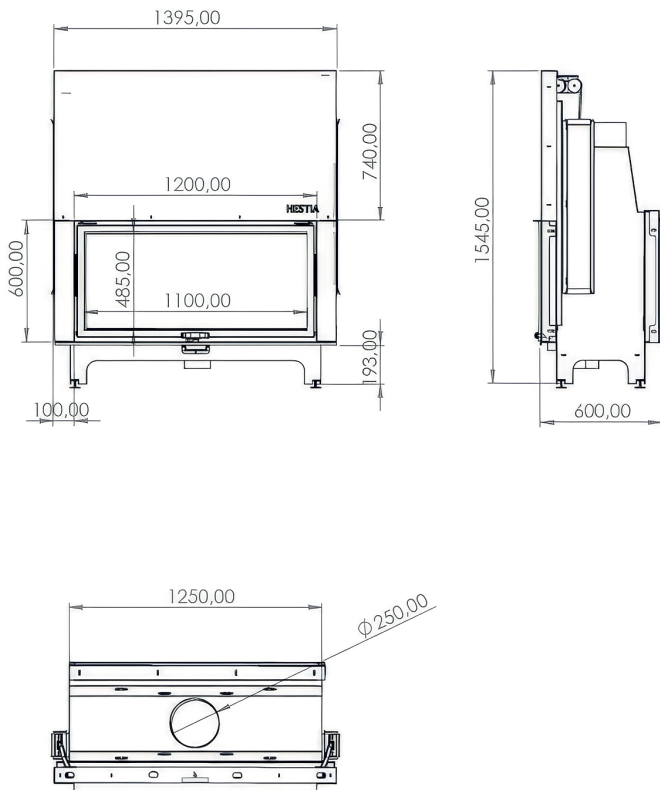
Specifications	Value
Power (kW)	17
Heating Efficiency (%)	86
Weight (kg)	325
Material	Steel
Flue Diameter	200
Glass	Ceramic Glass
Combustion Chamber	Cast Iron
Warranty	2 Years

120×55 Double-Sided Fireplace



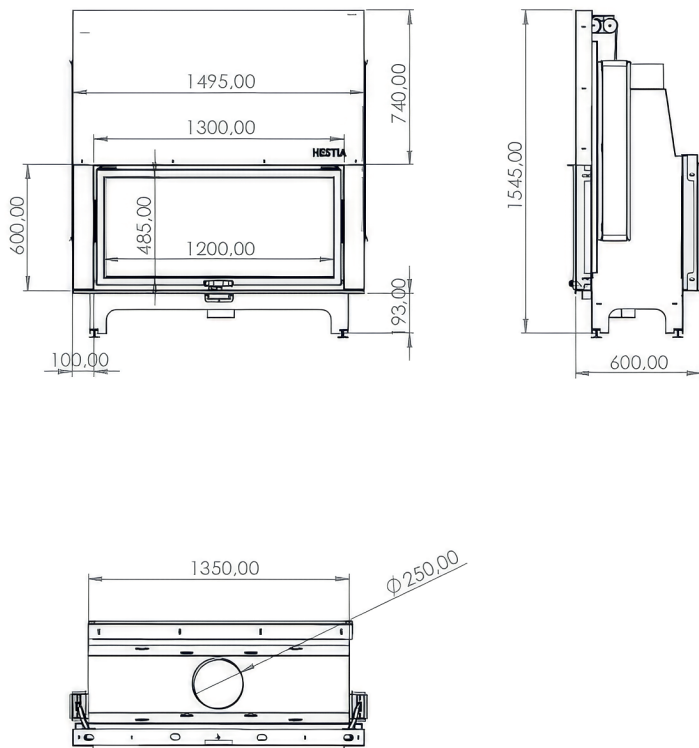
Specifications	Value
Power (kW)	19
Heating Efficiency (%)	88
Weight (kg)	335
Material	Steel
Flue Diameter	250
Glass	Ceramic Glass
Combustion Chamber	Cast Iron
Warranty	2 Years

120×60 Double-Sided Fireplace



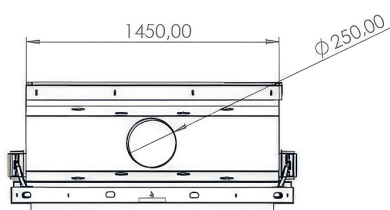
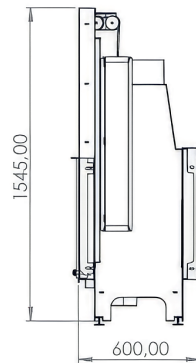
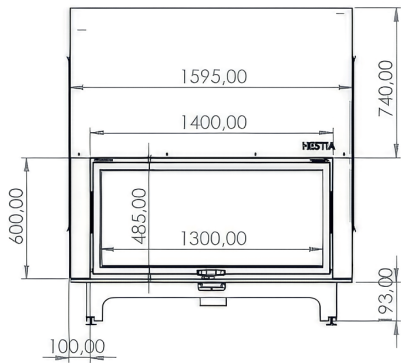
Specifications	Value
Power (kW)	19
Heating Efficiency (%)	89
Weight (kg)	340
Material	Steel
Flue Diameter	250
Glass	Ceramic Glass
Combustion Chamber	Cast Iron
Warranty	2 Years

130×60 Double-Sided Fireplace



Specifications	Value
Power (kW)	20
Heating Efficiency (%)	90
Weight (kg)	350
Material	Steel
Flue Diameter	250
Glass	Ceramic Glass
Combustion Chamber	Cast Iron
Warranty	2 Years

140×60 Double-Sided Fireplace



Specifications	Value
Power (kW)	21
Heating Efficiency (%)	91
Weight (kg)	360
Material	Steel
Flue Diameter	250
Glass	Ceramic Glass
Combustion Chamber	Cast Iron
Warranty	2 Years





EPI SHAPE FIREPLACES



Epi shape fireplace models, which allow the fire to be seen from three different points, can be produced in various sizes using steel material, with a firebrick or cast-iron chamber. These fireplaces add a distinctive atmosphere to the space they are installed in, and their heating efficiency is also quite high. All epi shape fireplace models manufactured and delivered by Batı Şömine come with a 2-year warranty.

1



60×70
Epi shape Fireplace

60×80
Epi shape Fireplace

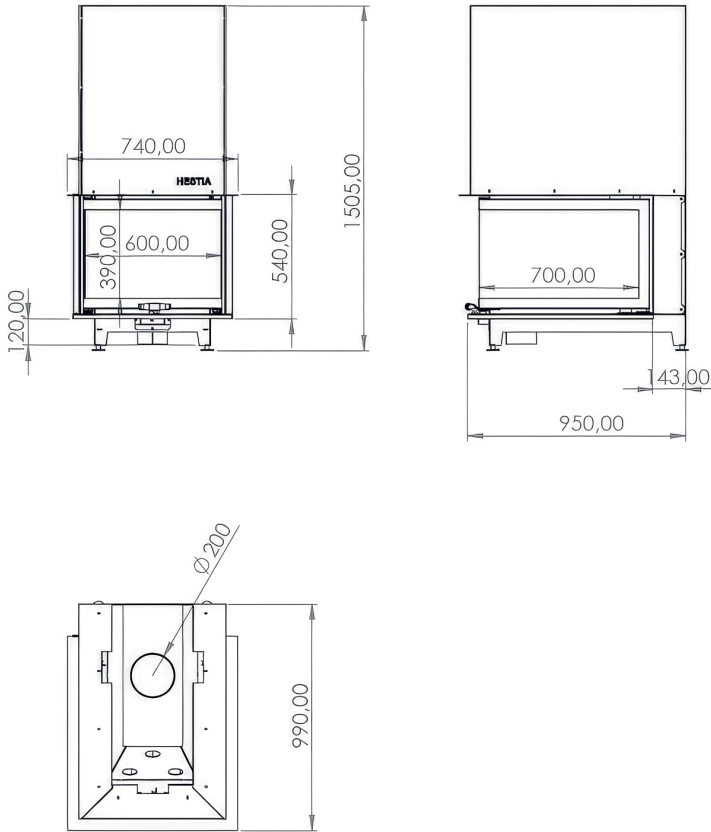
60×90
Epi shape Fireplace

60×100
Epi shape Fireplace



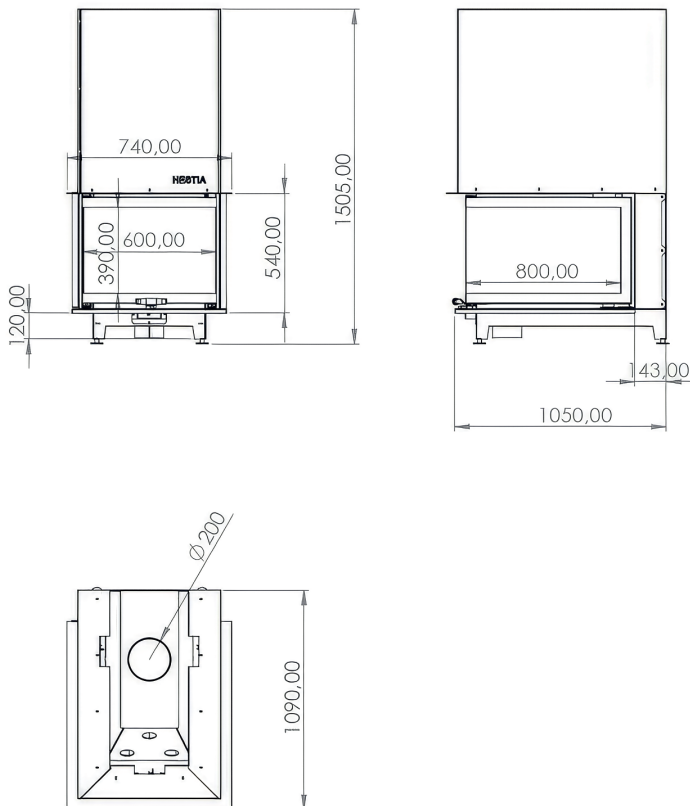


Epi 60×70



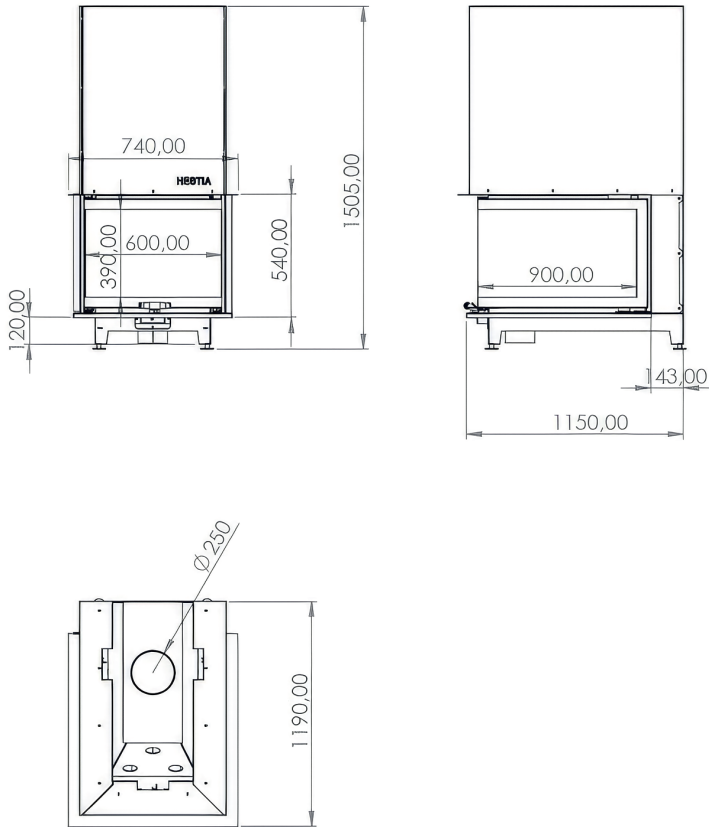
Specifications	Value
Power (kW)	16
Heating Efficiency (%)	86
Weight (kg)	300
Material	Çelik
Flue Diameter	200
Glass	Seramik Cam
Combustion Chamber	Döküm
Warranty	2 Yıl

Epi 60×80



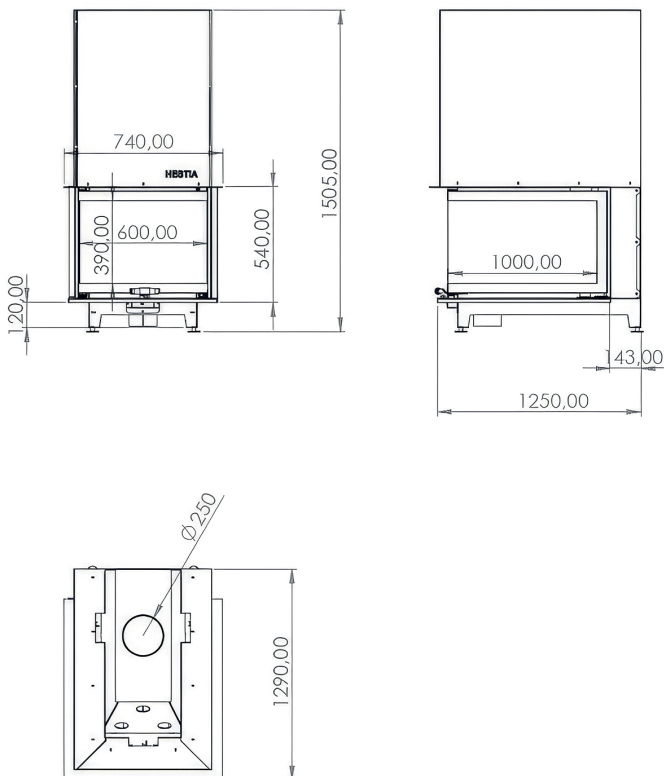
Specifications	Value
Power (kW)	17
Heating Efficiency (%)	87
Weight (kg)	320
Material	Steel
Flue Diameter	200
Glass	Ceramic Glass
Combustion Chamber	Cast Iron
Warranty	2 Years

Epi 60×90



Specifications	Value
Power (kW)	18
Heating Efficiency (%)	88
Weight (kg)	340
Material	Steel
Flue Diameter	250
Glass	Ceramic Glass
Combustion Chamber	Cast Iron
Warranty	2 Years

Epi 60×100



Specifications	Value
Power (kW)	19
Heating Efficiency (%)	89
Weight (kg)	360
Material	Steel
Flue Diameter	250
Glass	Ceramic Glass
Combustion Chamber	Cast Iron
Warranty	2 Years





L-SHAPE FIREPLACES



L-shape fireplaces, which blend well with modern interiors, create a strong focal point in living spaces with their aesthetic design that allows the fire to be watched from two sides. Produced by Batı Şömine with a high-quality steel body, ceramic glass, and a cast-iron/firebrick chamber, these models stand out with durability and high heating efficiency. With different size options, L-Shape fireplaces can be applied to any space and are an ideal solution for those looking for modern design, functionality, and an affordable price.

1

**L-Shape
Fireplace 70 cm**

**L-Shape
Fireplace 80 cm**

**L-Shape
Fireplace 90 cm**

**L-Shape
Fireplace 100 cm**

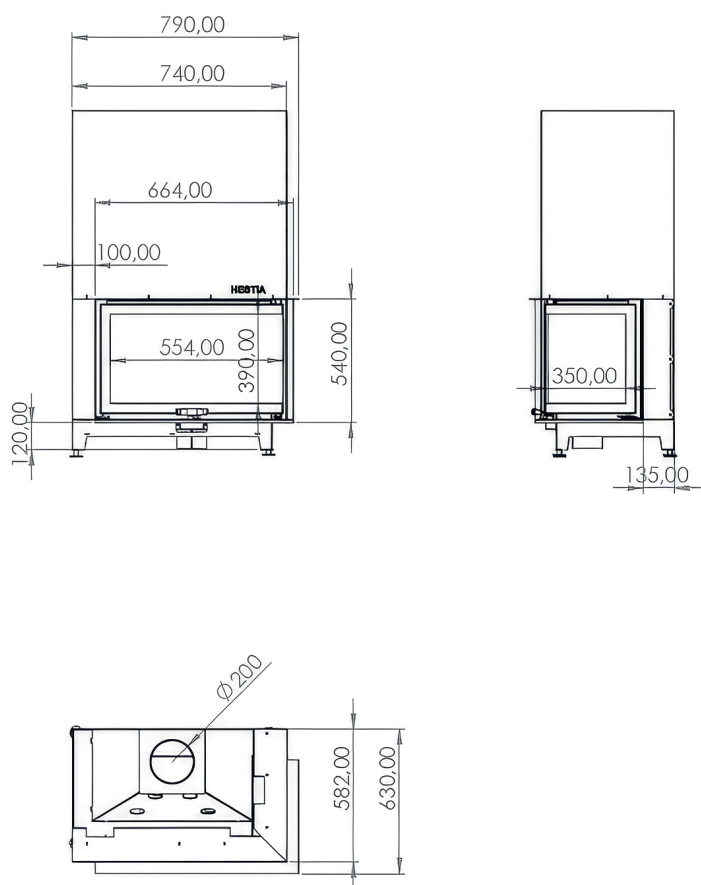
**L-Shape
Fireplace 110 cm**





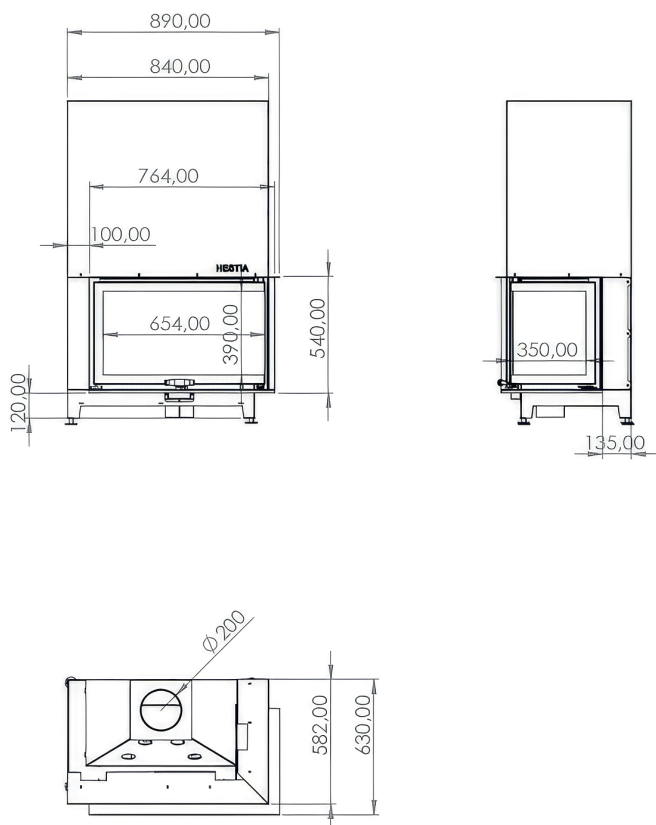


L-Shape 70 cm



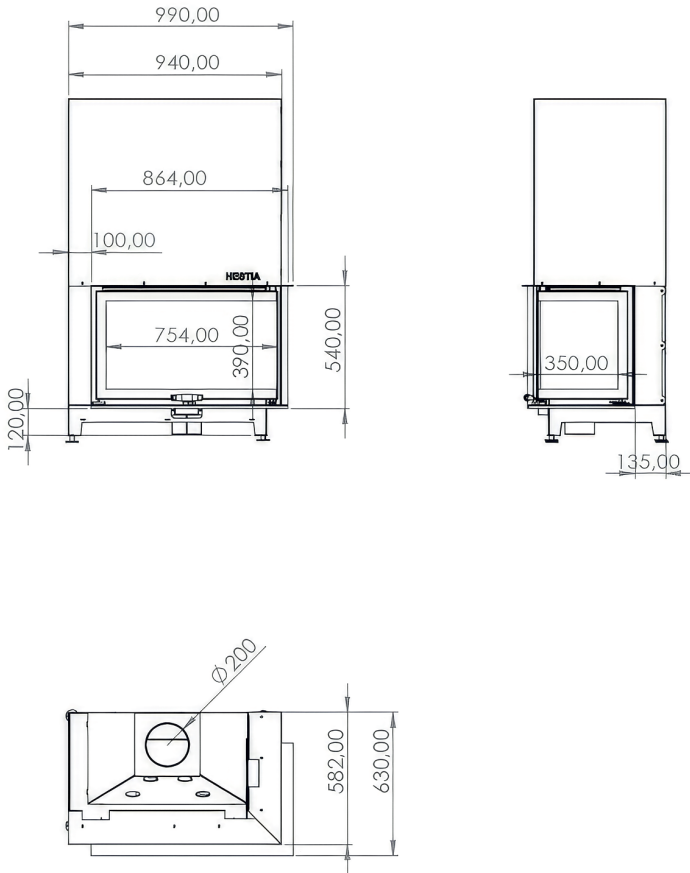
Specifications	Value
Power (kW)	15
Heating Efficiency (%)	83
Weight (kg)	255
Material	Steel
Flue Diameter	200
Glass	Ceramic Glass
Combustion Chamber	Cast Iron
Warranty	2 Years

L-Shape 80 cm



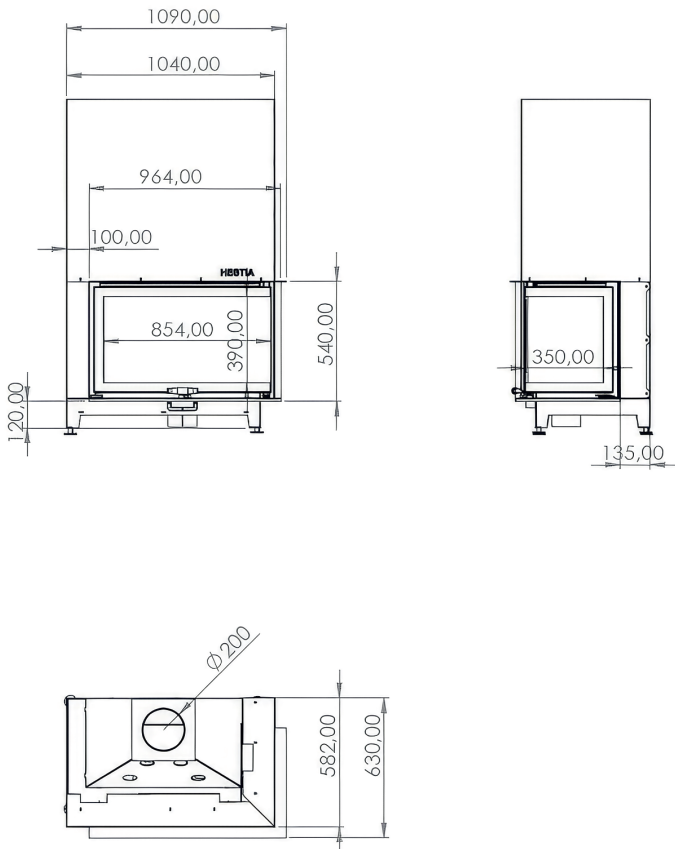
Specifications	Value
Power (kW)	16
Heating Efficiency (%)	84
Weight (kg)	275
Material	Steel
Flue Diameter	200
Glass	Ceramic Glass
Combustion Chamber	Cast Iron
Warranty	2 Years

L-Shape 90 cm



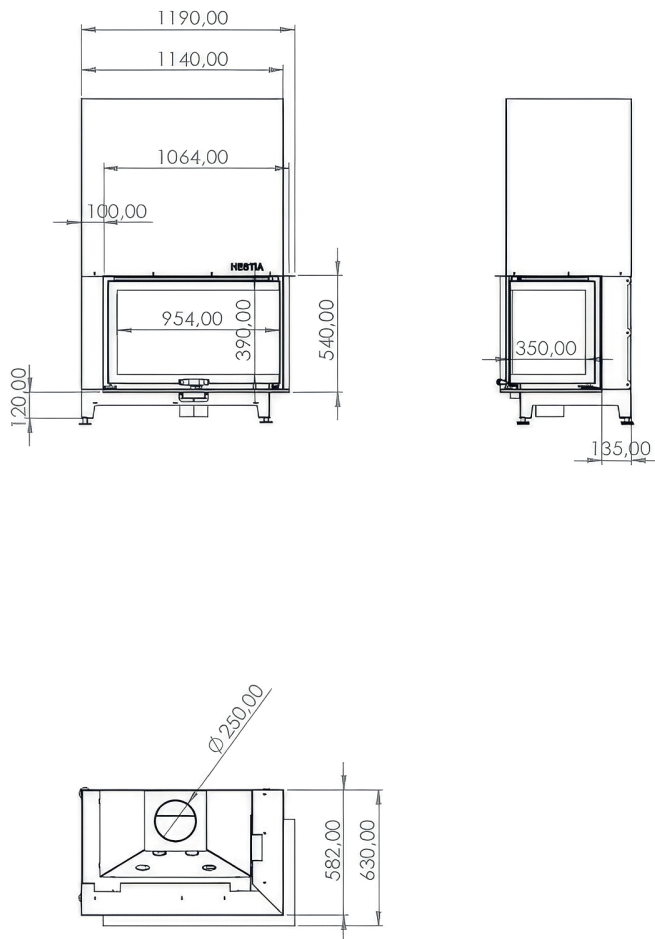
Specifications	Value
Power (kW)	17
Heating Efficiency (%)	85
Weight (kg)	295
Material	Steel
Flue Diameter	200
Glass	Ceramic Glass
Combustion Chamber	Cast Iron
Warranty	2 Years

L-Shape 100 cm



Specifications	Value
Power (kW)	18
Heating Efficiency (%)	86
Weight (kg)	315
Material	Steel
Flue Diameter	200
Glass	Ceramic Glass
Combustion Chamber	Cast Iron
Warranty	2 Years

L-Shape 110 cm



Specifications	Value
Power (kW)	19
Heating Efficiency (%)	87
Weight (kg)	335
Material	Steel
Flue Diameter	200
Glass	Ceramic Glass
Combustion Chamber	Cast Iron
Warranty	2 Years









2



L-Shape
Fireplace 70 cm

L-Shape
Fireplace 80 cm

L-Shape
Fireplace 90 cm

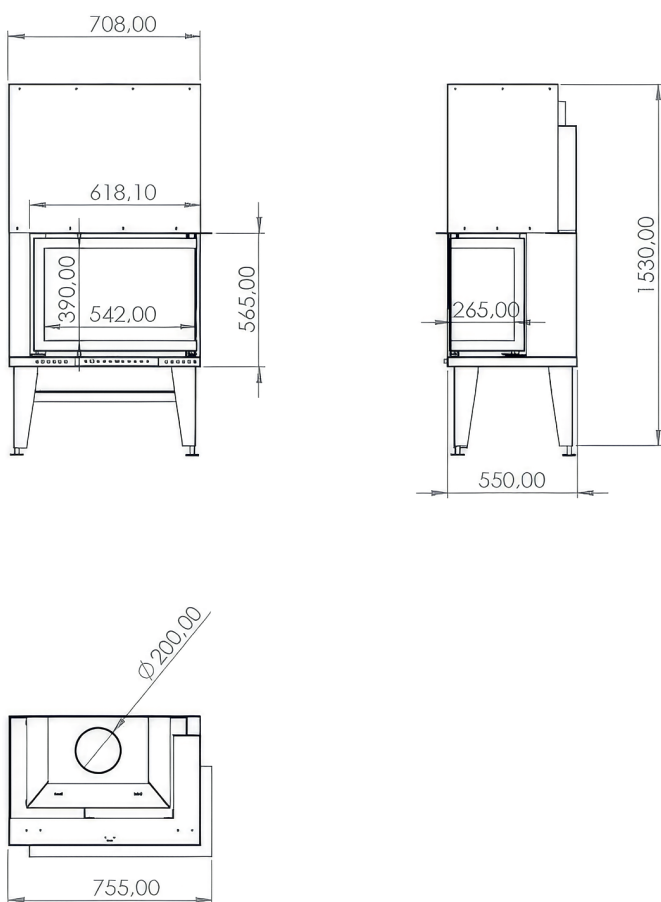
L-Shape
Fireplace 100 cm

L-Shape
Fireplace 110 cm

L-Shape
Fireplace 120 cm

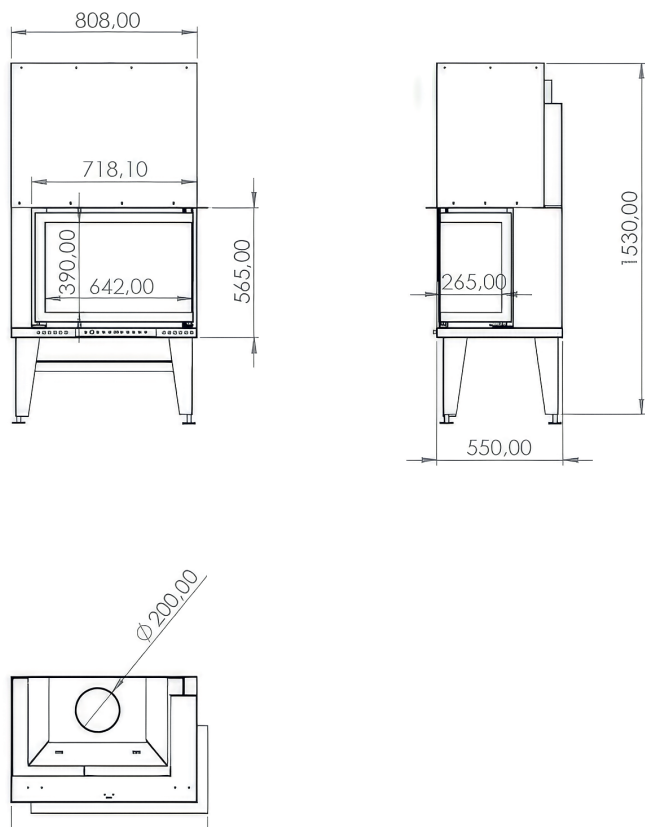
L-Shape
Fireplace 130 cm

L-Shape 70 cm Eco



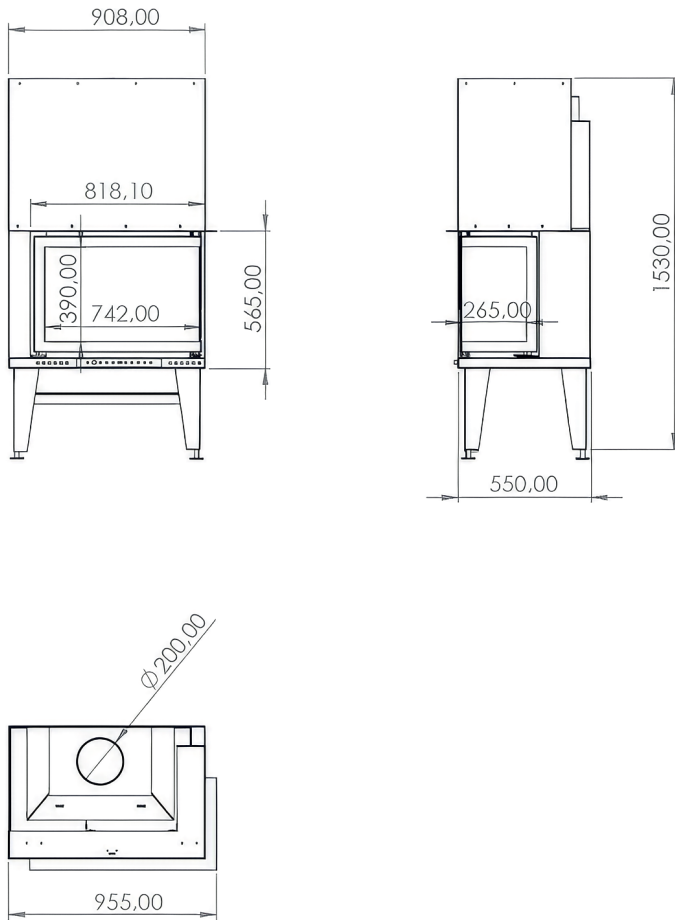
Specifications	Value
Power (kW)	14
Heating Efficiency (%)	81
Weight (kg)	230
Material	Steel
Flue Diameter	200
Glass	Ceramic Glass
Combustion Chamber	Cast Iron
Warranty	2 Years

L-Shape 80 cm Eco



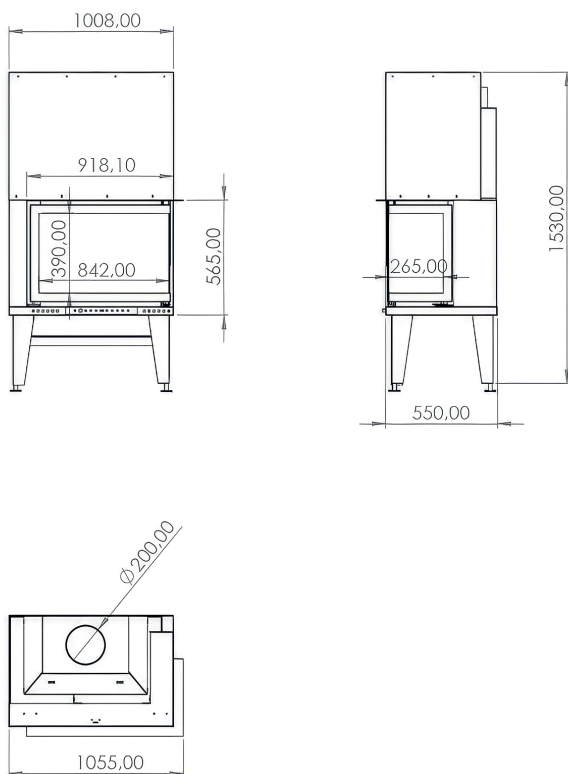
Specifications	Value
Power (kW)	15
Heating Efficiency (%)	82
Weight (kg)	250
Material	Steel
Flue Diameter	200
Glass	Ceramic Glass
Combustion Chamber	Cast Iron
Warranty	2 Years

L-Shape 90 cm Eco



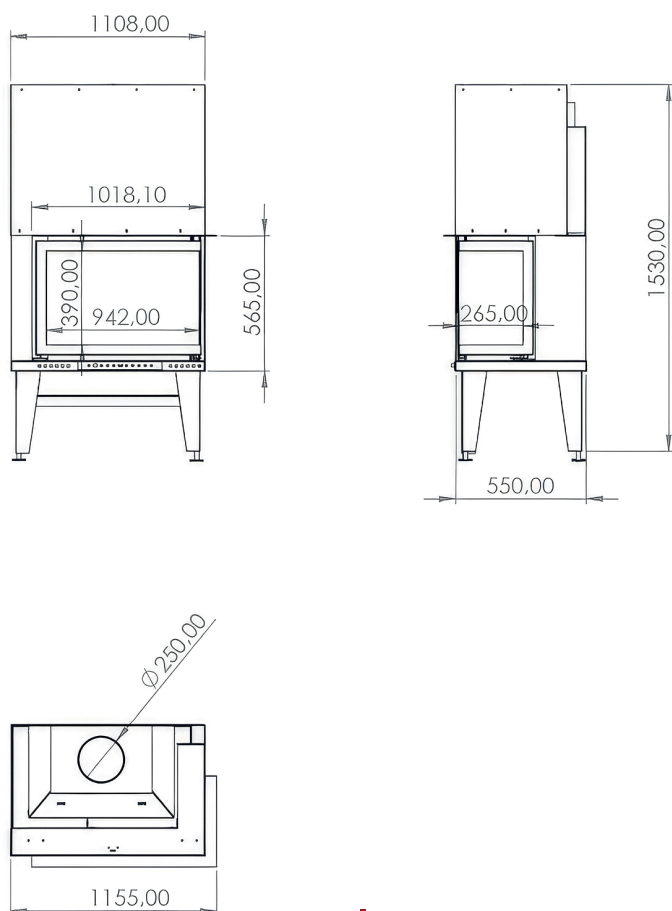
Specifications	Value
Power (kW)	16
Heating Efficiency (%)	83
Weight (kg)	270
Material	Steel
Flue Diameter	200
Glass	Ceramic Glass
Combustion Chamber	Cast Iron
Warranty	2 Years

L-Shape 100 cm Eco



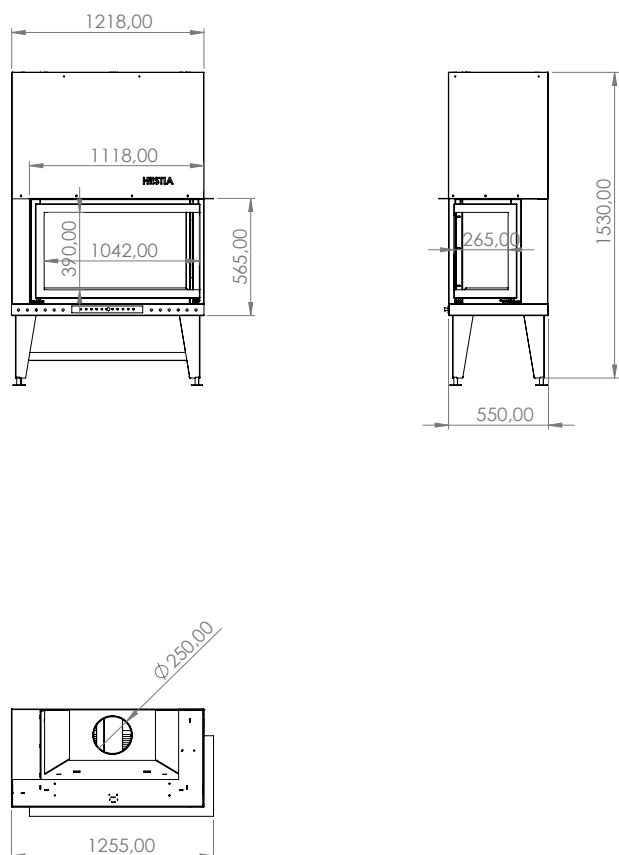
Specifications	Value
Power (kW)	17
Heating Efficiency (%)	84
Weight (kg)	290
Material	Steel
Flue Diameter	200
Glass	Ceramic Glass
Combustion Chamber	Cast Iron
Warranty	2 Years

L-Shape 110 cm Eco



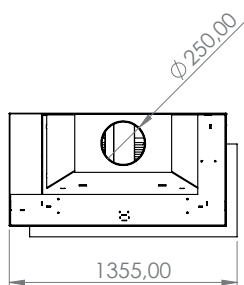
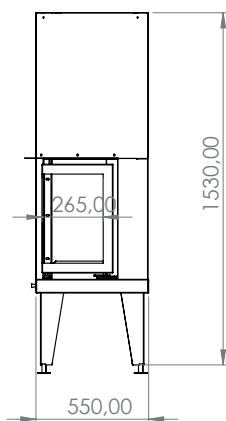
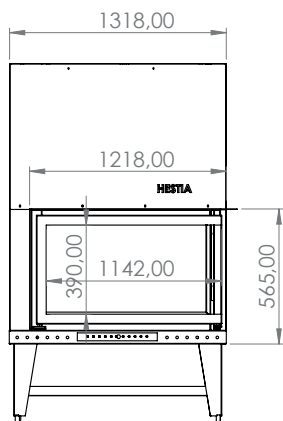
Specifications	Value
Power (kW)	18
Heating Efficiency (%)	85
Weight (kg)	310
Material	Steel
Flue Diameter	250
Glass	Ceramic Glass
Combustion Chamber	Cast Iron
Warranty	2 Years

L-Shape 120 cm Eco



Specifications	Value
Power (kW)	18
Heating Efficiency (%)	85
Weight (kg)	310
Material	Steel
Flue Diameter	250
Glass	Ceramic Glass
Combustion Chamber	Cast Iron
Warranty	2 Years

L-Shape 130 cm Eco



Specifications	Value
Power (kW)	18
Heating Efficiency (%)	85
Weight (kg)	310
Material	Steel
Flue Diameter	250
Glass	Ceramic Glass
Combustion Chamber	Cast Iron
Warranty	2 Years









CORNER FIREPLACES



Corner fireplaces, compatible with modern architecture, create a strong and impressive atmosphere in living spaces with their balanced design that allows the fire to be viewed from two sides. Manufactured by Batı Şömine using a high-quality steel body, heat-resistant ceramic glass, and a cast iron/firebrick combustion chamber, these models deliver top-level performance both aesthetically and technically.

1

**Corner Fireplaces
50x50**

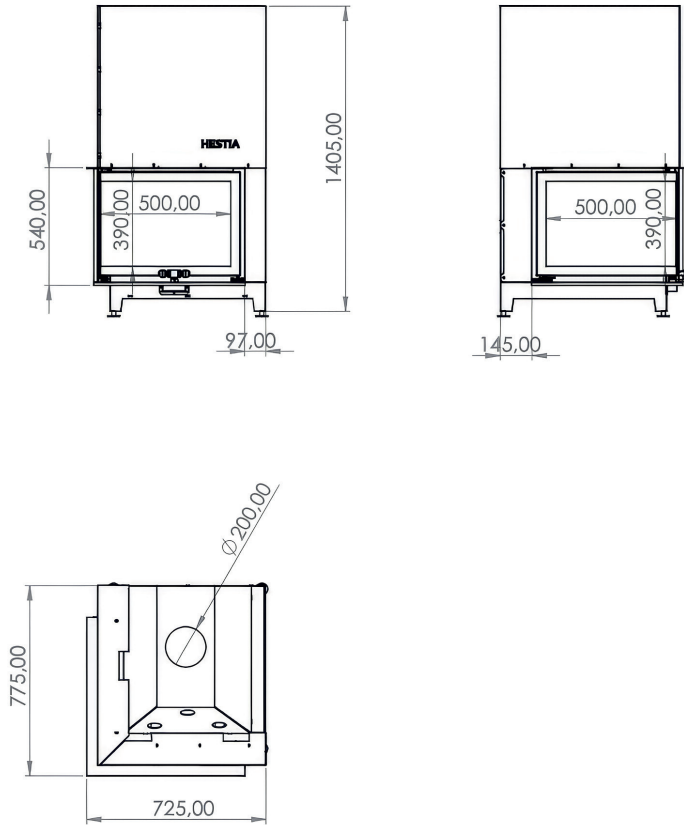
**Corner Fireplaces
60x60**

**Corner Fireplaces
70x70**

**Corner Fireplaces
80x80**

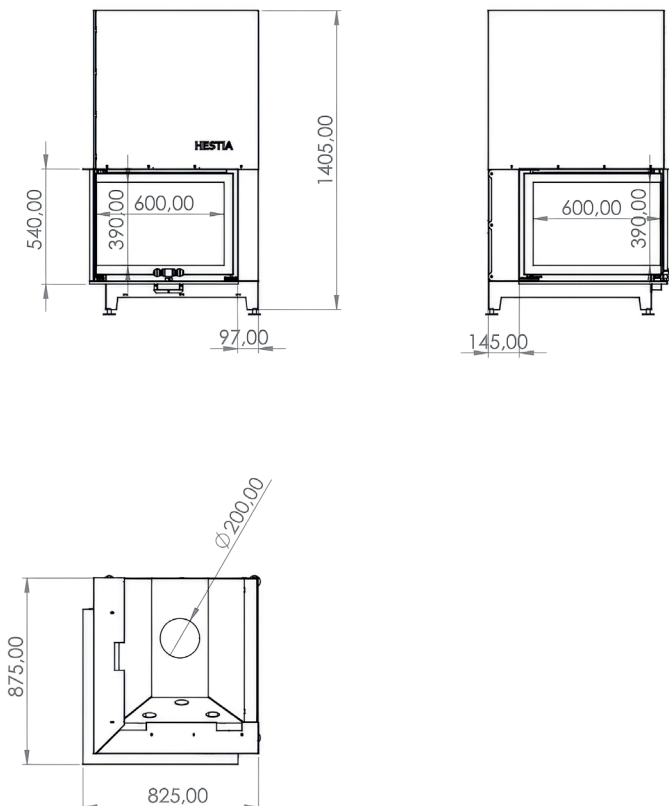


Corner 50 x 50



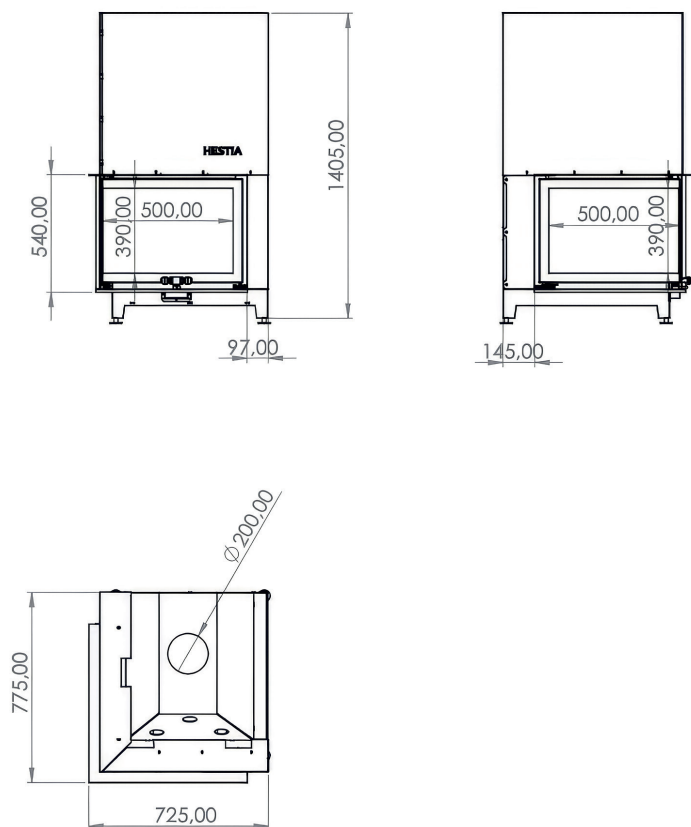
Specifications	Value
Power (kW)	15
Heating Efficiency (%)	85
Weight (kg)	300
Material	Steel
Flue Diameter	200
Glass	Ceramic Glass
Combustion Chamber	Cast Iron
Warranty	2 Years

Corner 60x60



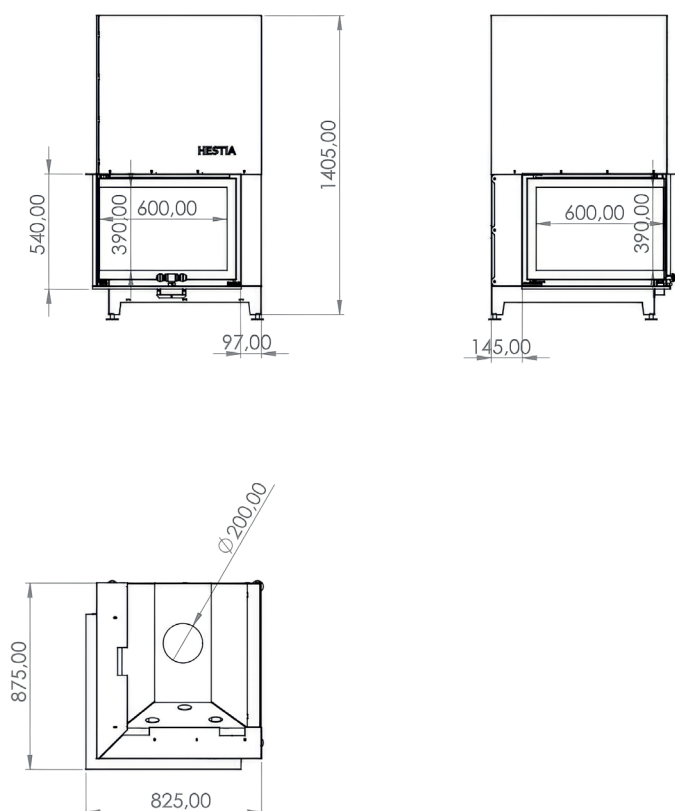
Specifications	Value
Power (kW)	19
Heating Efficiency (%)	87
Weight (kg)	340
Material	Steel
Flue Diameter	200
Glass	Ceramic Glass
Combustion Chamber	Cast Iron
Warranty	2 Years

Corner 70×70



Specifications	Value
Power (kW)	15
Heating Efficiency (%)	85
Weight (kg)	300
Material	Steel
Flue Diameter	200
Glass	Ceramic Glass
Combustion Chamber	Cast Iron
Warranty	2 Years

Corner 80×80



Specifications	Value
Power (kW)	19
Heating Efficiency (%)	87
Weight (kg)	340
Material	Steel
Flue Diameter	200
Glass	Ceramic Glass
Combustion Chamber	Cast Iron
Warranty	2 Years





CENTRAL FIREPLACES



Central fireplaces, preferred by many users especially in restaurants and hotels, allow the oxygen level entering the chamber to be adjusted via a damper/slider to ensure efficient combustion. Controlling the lower cold-air intake enables the fire to be “put to sleep” (slowed down).

(Also mentioned: cold air taken from outside is directed to the glass through channels; this “upper air curtain” system reduces soot on the glass.)



**Flora Floor-Type
Fireplace**

**Luna Floor-Type
Fireplace**

**Freya Floor-Type
Fireplace**

**Artemis Floor-Type
Fireplace**

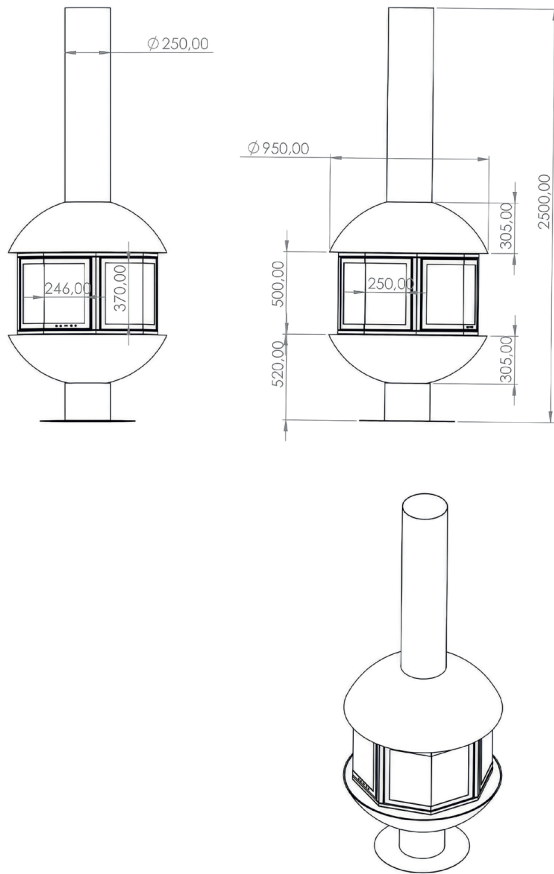
**Vesta Floor-Type
Fireplace**

**Hera Hanging-Type
Fireplace**

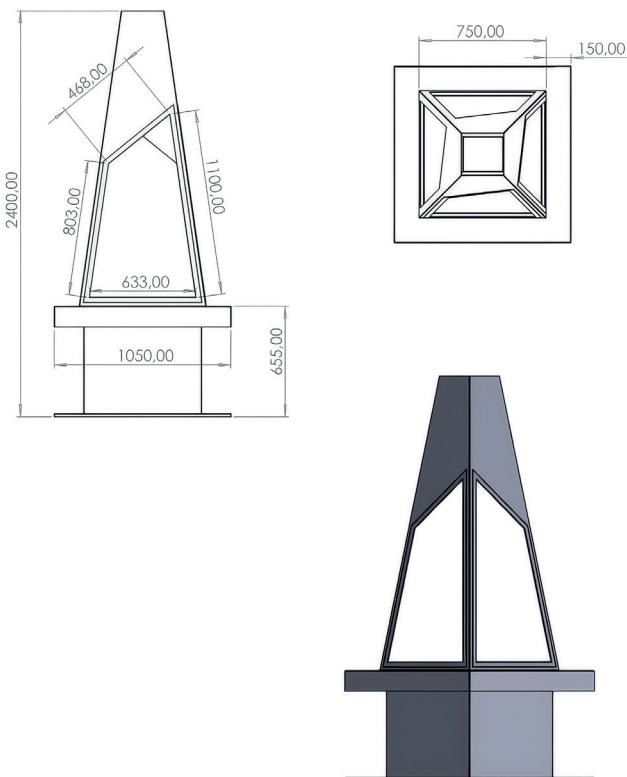




Flora Floor-Type Fireplace

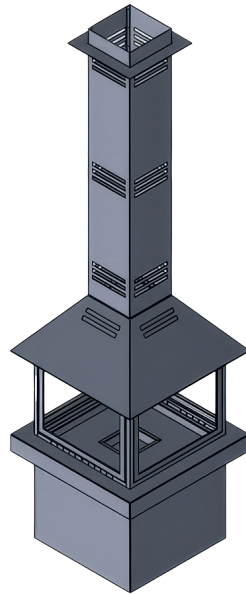
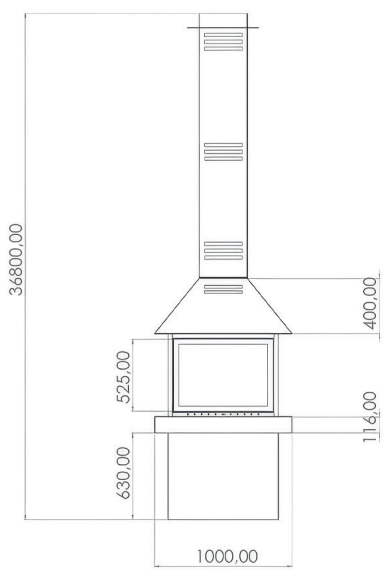


Luna Floor-Type Fireplace

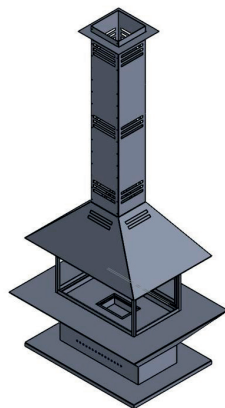
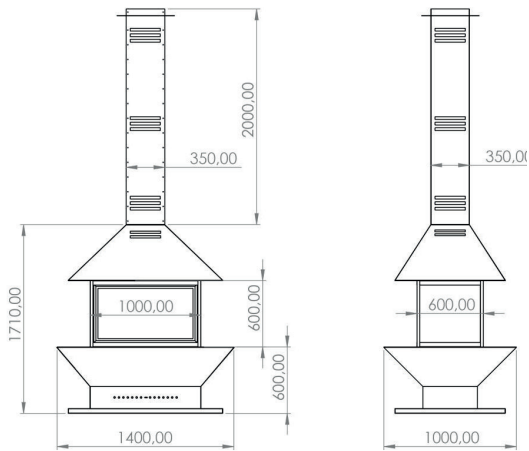




Freya Floor-Type Fireplace

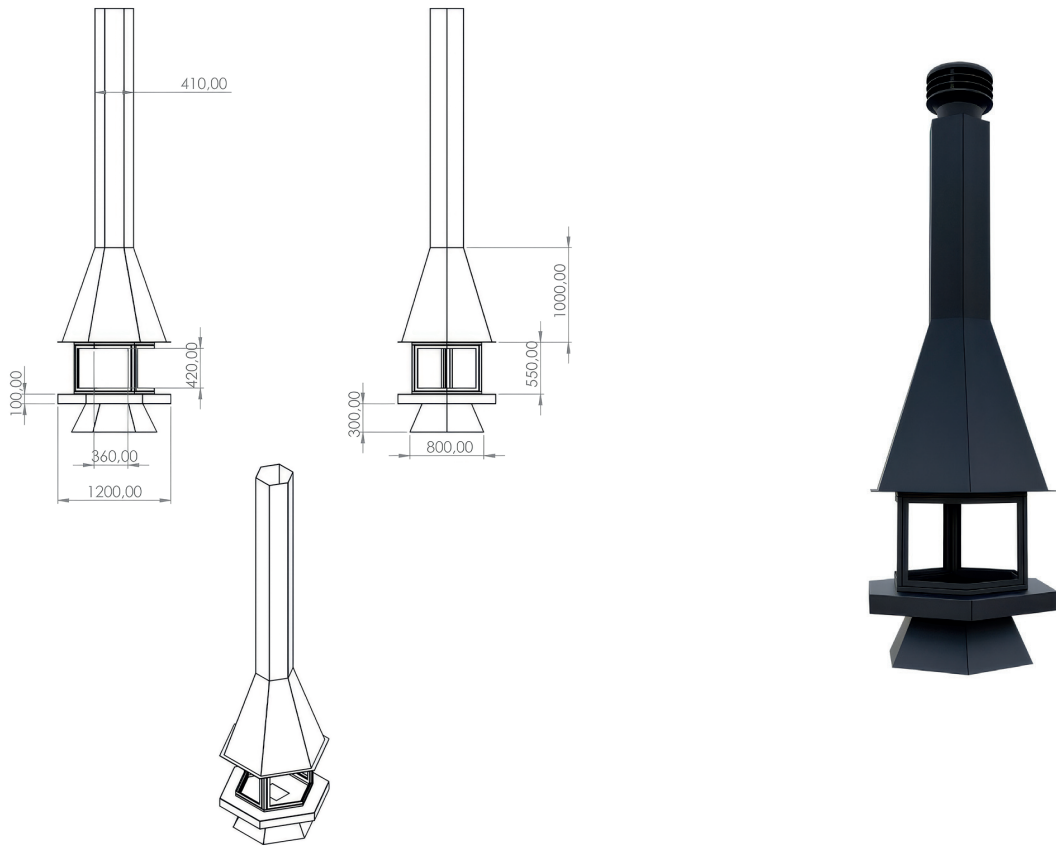


Artemis Floor-Type Fireplace

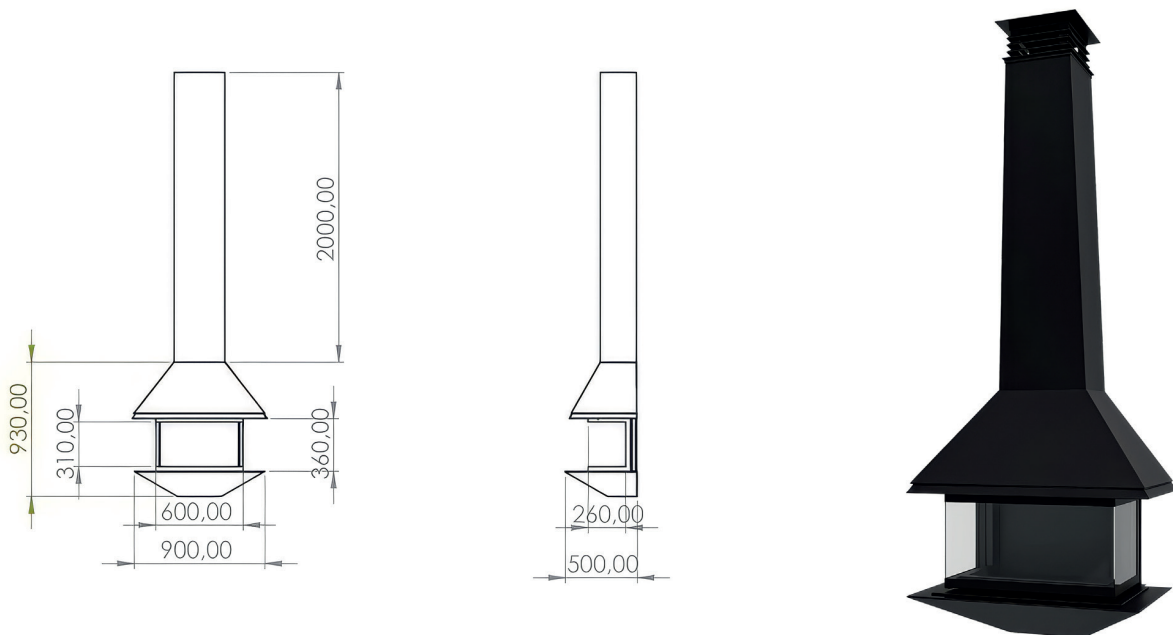




Vesta Floor-Type Fireplace



Hera Hanging-Type Fireplace









BARBECUES



Barbecues add both aesthetic and functional value to your outdoor living areas. The barbecues we offer as Batı Şömine are long-lasting, heat-resistant, and suitable for all seasons thanks to their cast-iron material. They are a quality choice for your garden, terrace, or summer house.



Barbecue with Oven

**Barbecue with Oven
(No Countertop)**

**Barbecue with
"Mermerit" Countertop**

**Barbecue with Chrome
Countertop**

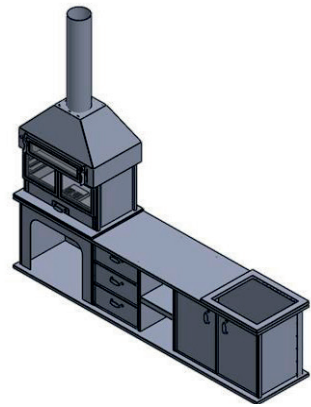
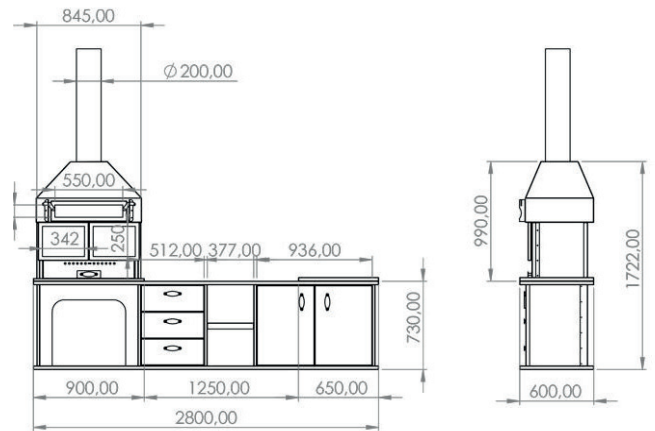
**Barbecue without Oven
(With Countertop)**

Barbecue without Oven

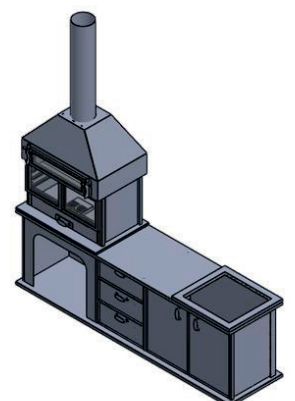
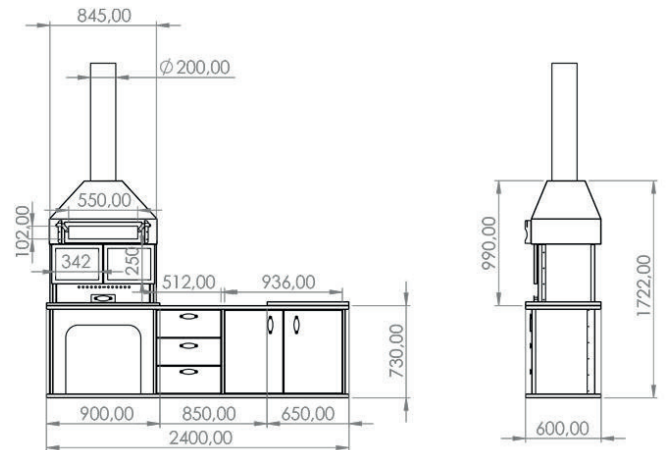




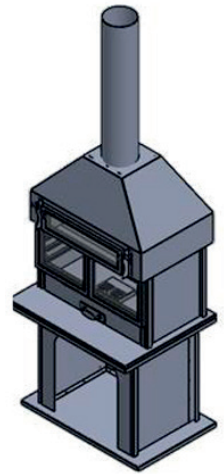
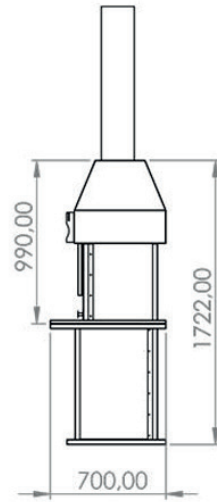
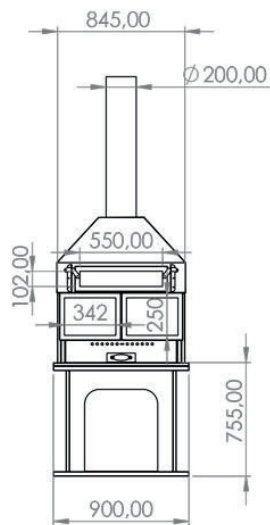
Barbecue with Oven 2.8 m



Barbecue with Oven 2.4 m



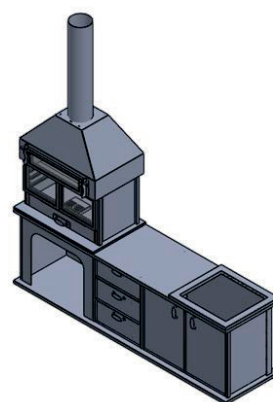
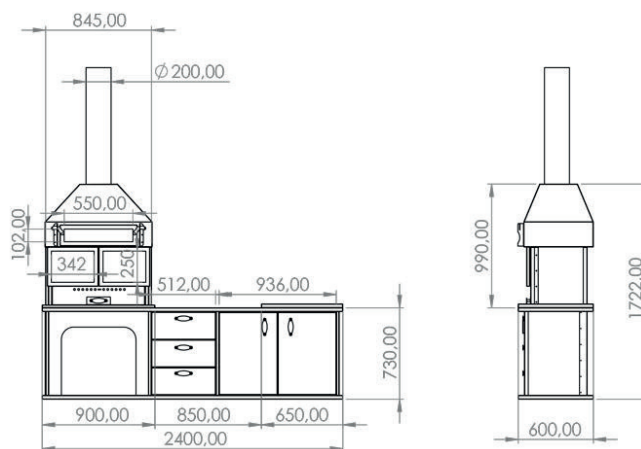
Barbecue with Oven (No Countertop)



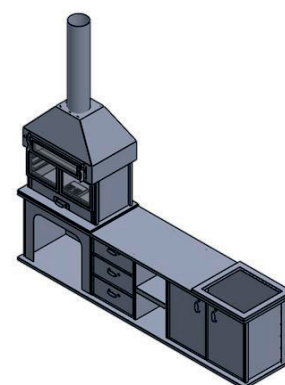
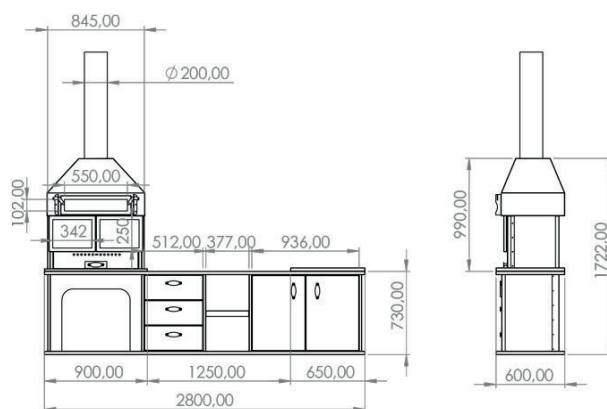




Barbecue with Mermerit Countertop 2.4 m

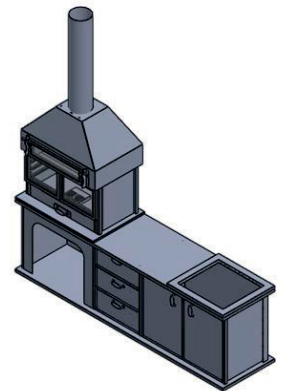
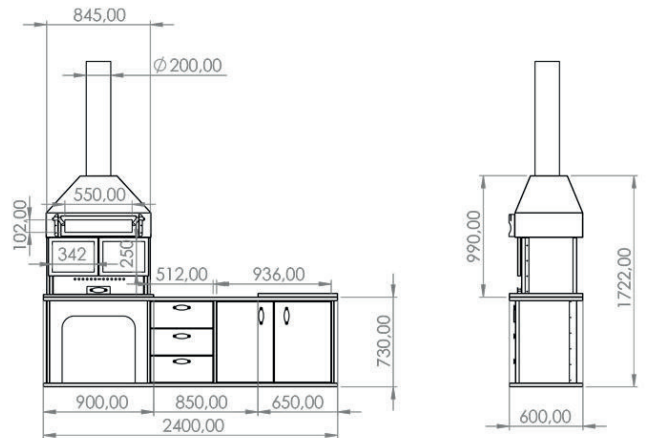


Barbecue with Mermerit Countertop 2.8 m

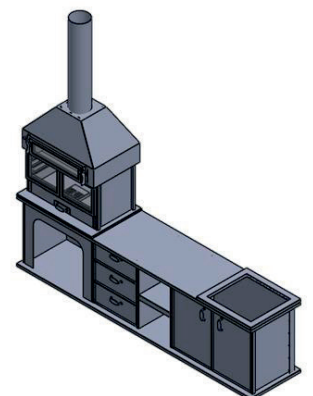
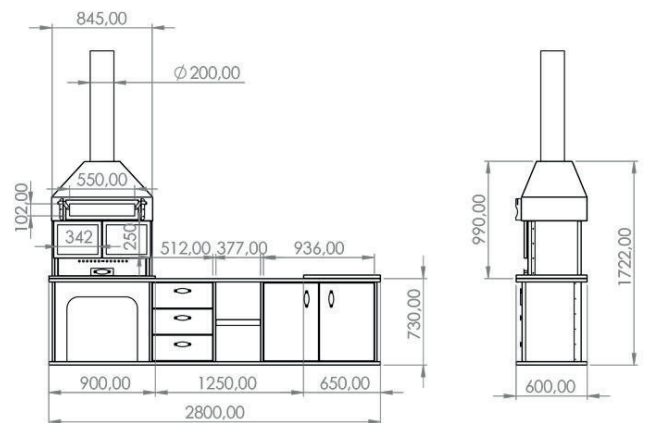




Barbecue with Chrome Countertop 2.4 m



Barbecue with Chrome Countertop 2.8 m

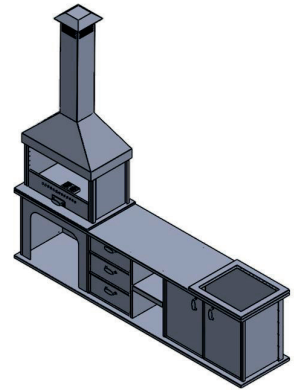
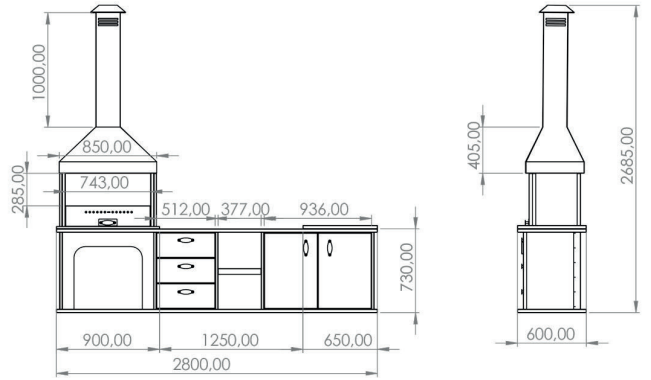




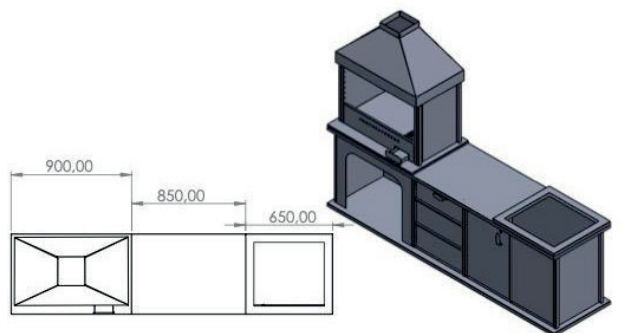
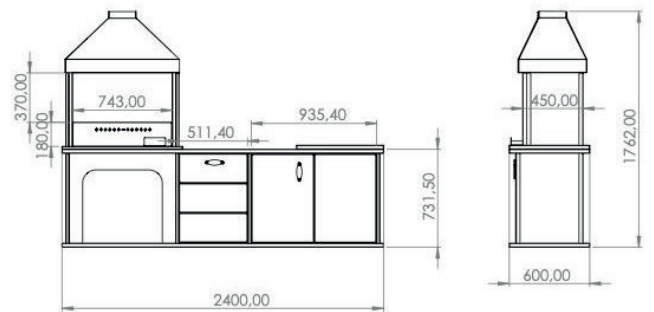




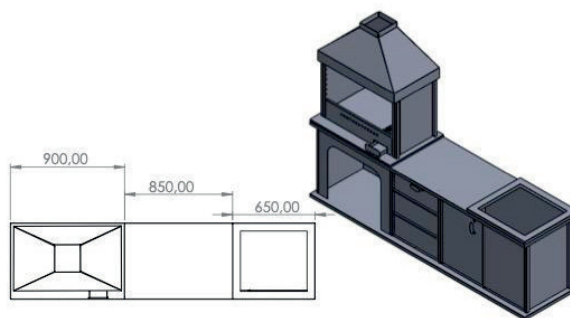
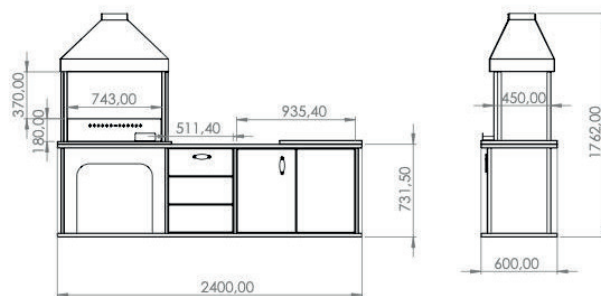
Barbecue without Oven (With Countertop) 2.8 m



Barbecue without Oven (With Countertop) 2.4 m



Barbecue without Oven







STOVES



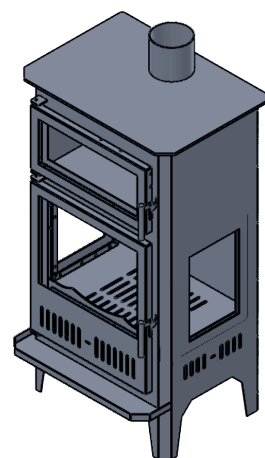
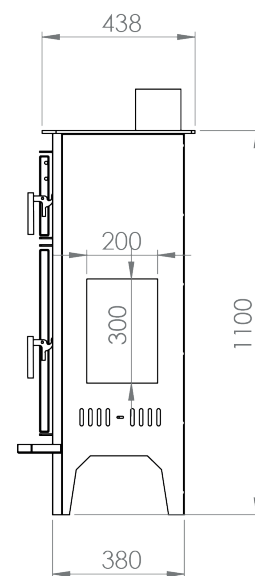
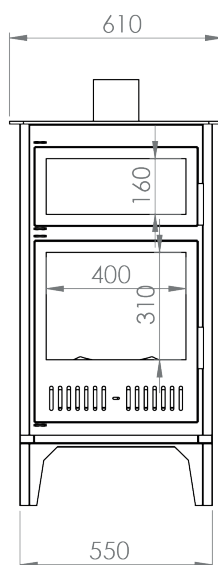
Batı Şömine cast-iron stoves offer ideal solutions for those looking for both warmth and aesthetics, thanks to their long-lasting structure and elegant design. With high heating efficiency, durable material quality, and classic design details, our cast-iron stove models bring a nostalgic warmth to your living spaces. Each model is carefully selected and stands out with lines that fit modern décor. Suitable for use in various areas—from living rooms to mountain houses, from restaurants to boutique hotels.



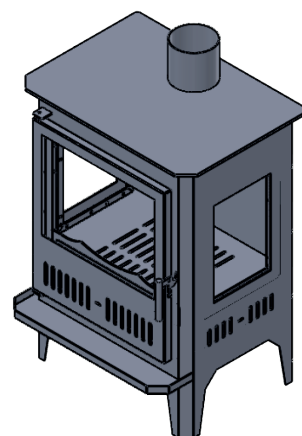
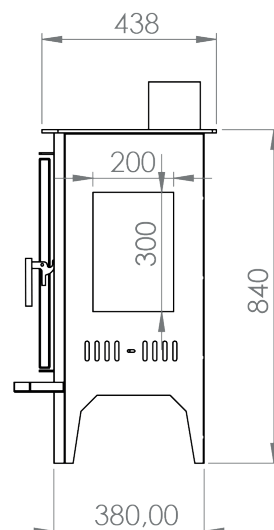
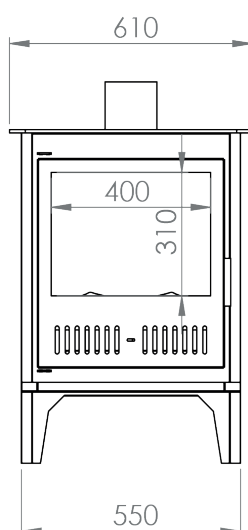
Stove with Oven

Stove without Oven

Stove with Oven



Stove without Oven





BATI
ŞÖMİNE



+ 90 554 822 33 56



www.batisomine.com



info@batisomine.com



Production Address :
Zafer Neighborhood, 2335 Street
No: 10, Buca / İzmir

